

Lacuna[®]
Made in Denmark



**ENGLISH
INSTALLATION
GUIDE**

**WITH
INSTALLATION KIT**



©2019 Lacuna

Congratulations on your new Lacuna folding door

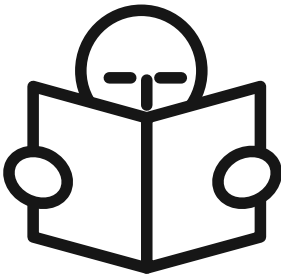
Our products are built to last 50 years or more. Modern technology and the best of materials make a Lacuna door a guarantee for beautiful design, high quality and longevity.

Our guarantee protects you against faulty material and manufacturing throughout the guarantee period, and as an industry first against decay and fungus as well.

Please read about our guarantee on our website.

Documentation

To activate the guarantee, this Installation guide must be provided to the end user upon completion of the installation.



Please read the following before unpacking and installation, in order to avoid damages and incorrect installation. Otherwise, it is at your own risk and **the guarantee becomes void**.



All parts and **packaging are photographed** at the factory.



Watch our **installation video** (www.lacunaofdenmark.co.uk)



If possible, begin with the unpacking, assembling and installation of the frame.









If possible, leave the door-leaves on the pallet, until they can be installed in the (almost) finished frame.



Please contact your local distributor regarding questions to the installation guide.



Required tools/people and materials for installation

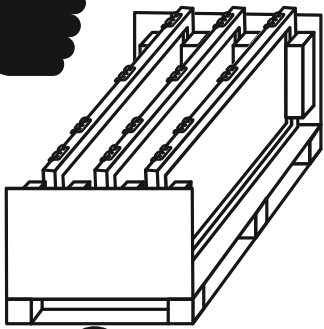
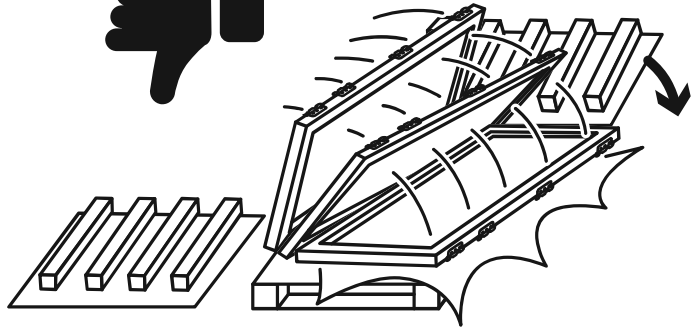
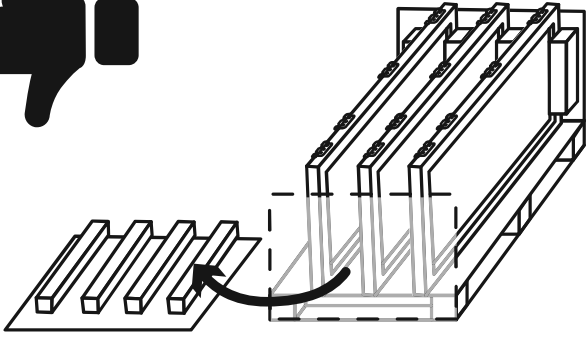
-  2 people to install
-  Spirit level
-  Measure tape
-  If available, a suction cup for glass
-  Drill
-  Power screwdriver
- Installationkit inkluded

Index

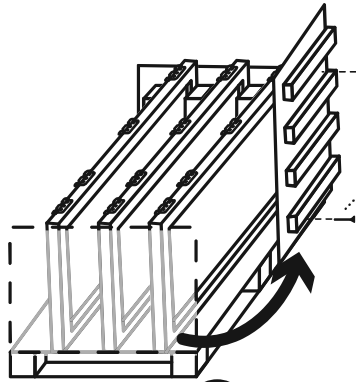
Assembling of frame	7
Installation of frame	8-12
Installation of door-leaves	13-16
Final installation of frame	17
Installation of door holder	18
Installation of protectors at handles	19
Adjustment	20-21
Potential installation of friction brake	22
Operation	23
Bill of materials	24

Beskrivelser

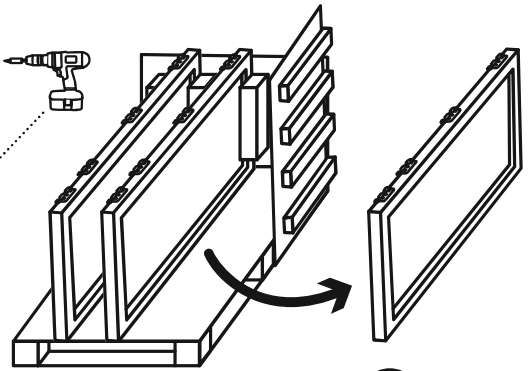
- S1** Component designation
- K1** Component designation Kit
- 3** Installation order 1- 38
-  Seen from the inside
-  Seen from the outside



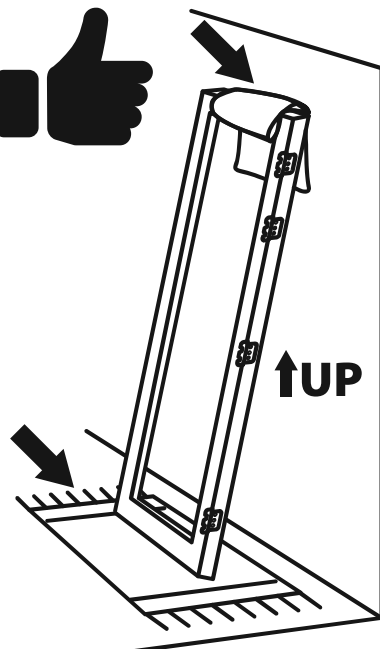
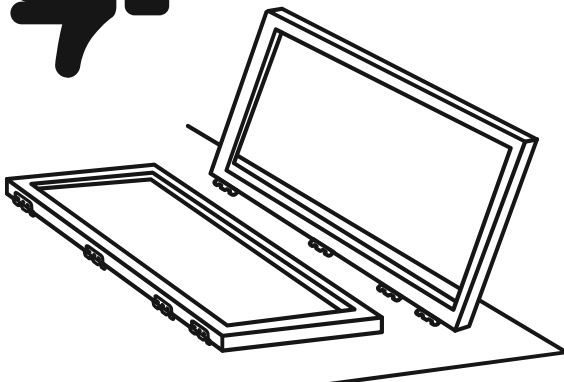
1



2



3



Installation guide for semi/self-supporting folding doors and windows with integrated sliding rail

To facilitate adjustment, it is important that there is space for blocking up/alignment of the frame on all sides. A 12 mm clearance should therefore be allowed between frame and building. The 12 mm around the frame is a rule of thumb; the clearance may be uneven so that 12 mm may be enough in some places, but not in others. It is important that the frame is installed exactly both vertically and horizontally (remember to cross measure).

Please note that the permitted load on each top roller is 80+200 kg depending on door blade size. When the doors are folded, a load of 75-500 kgs is permitted on one meter of rail, which must not deflect. For this reason, an exact, secure and stable installation of the rail and frame is crucial for a perfect result.

If required, folding doors from Lacuna can be adjusted with the included 1 mm adjustment plates. 1 mm adjustment plates are installed behind all hinges. Adjustment of width should only be carried out with the included 1 mm adjustment plates.



If the top frame has been mounted incorrectly, i.e. the top frame or thresholds are not 100% level, the outer frame needs to be straightened. Put the gasket back again.

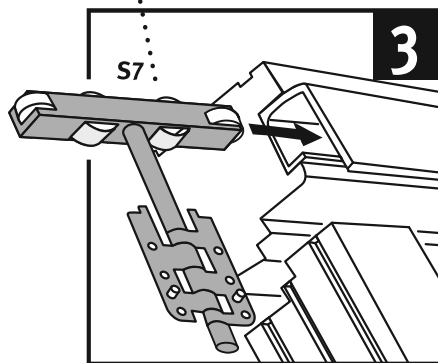
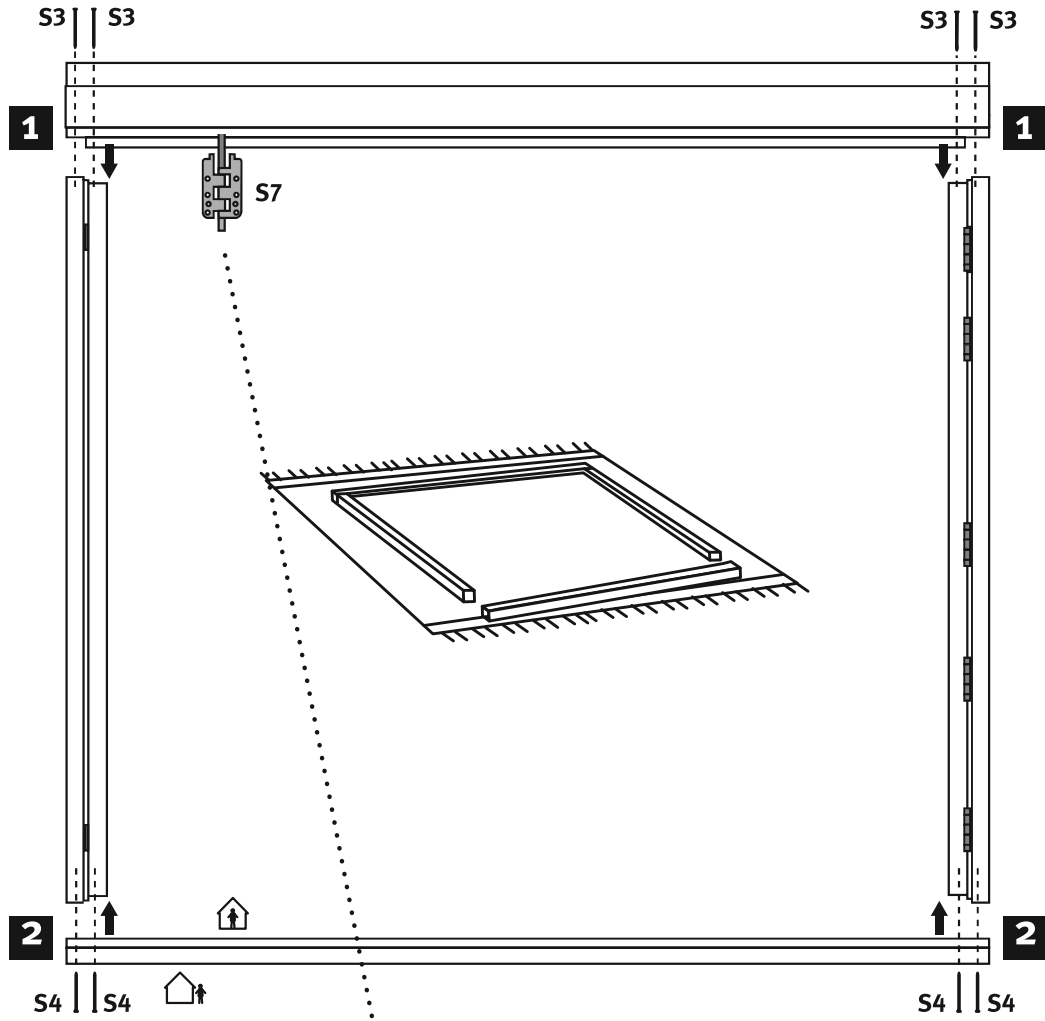
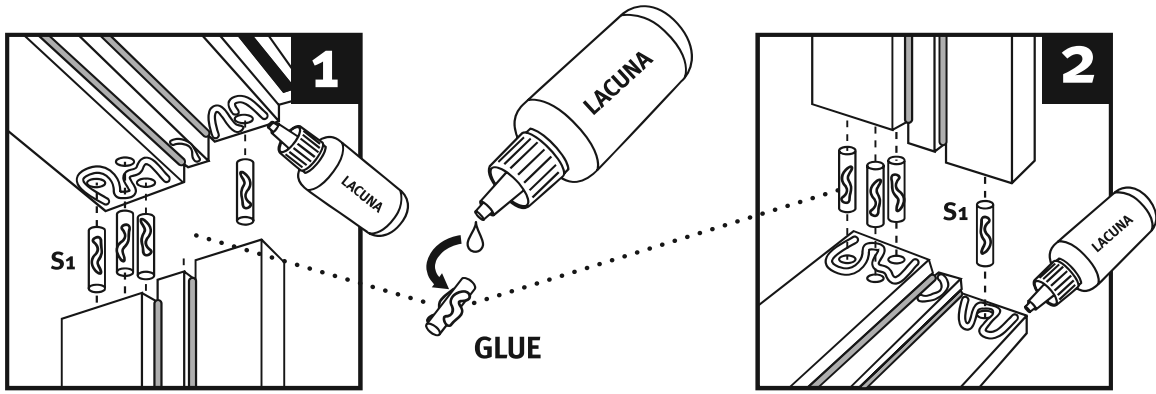


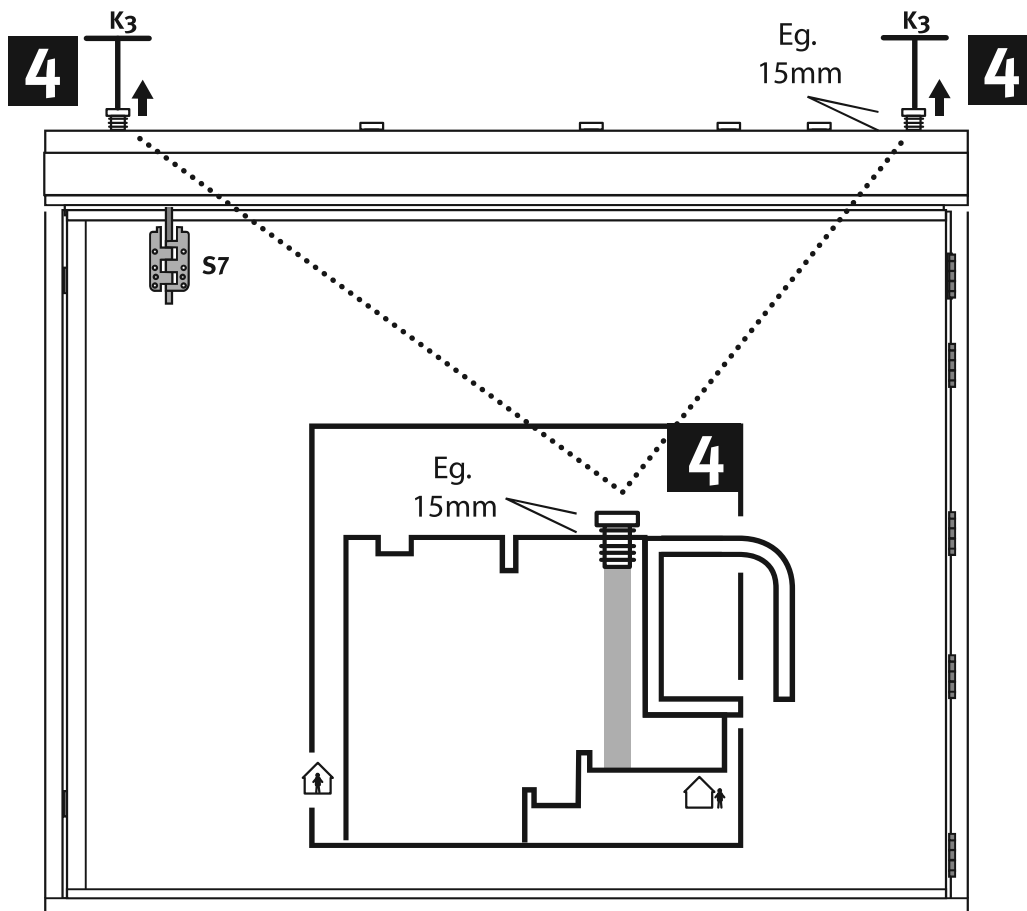
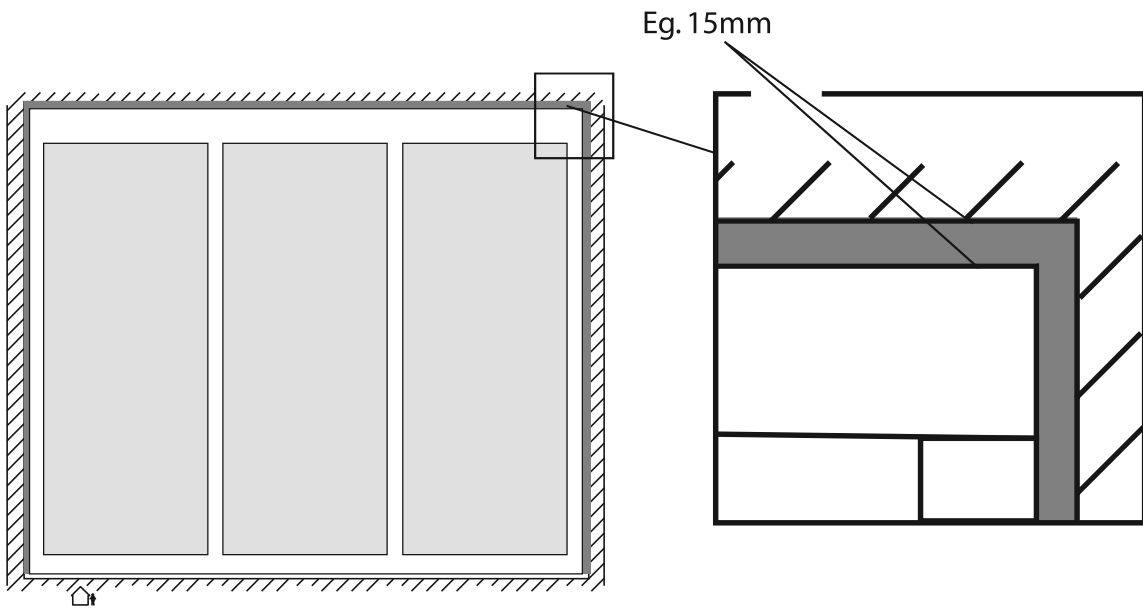
Please watch the installation video before you start.

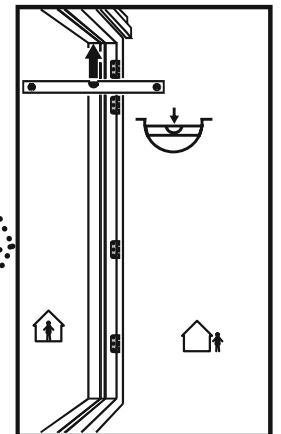
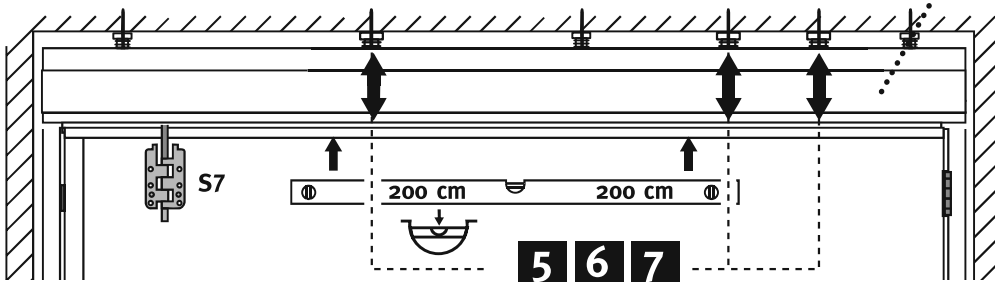
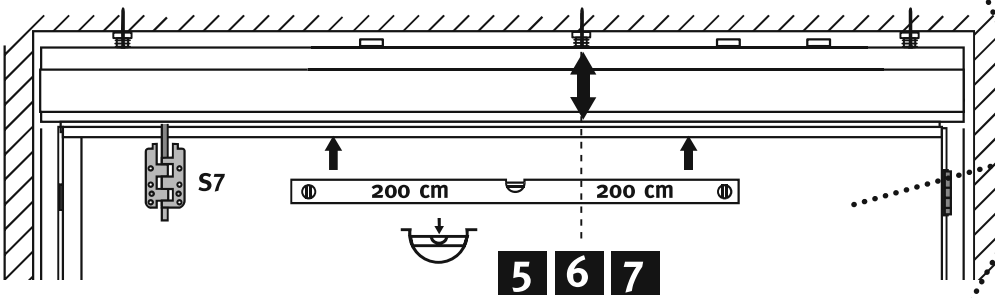
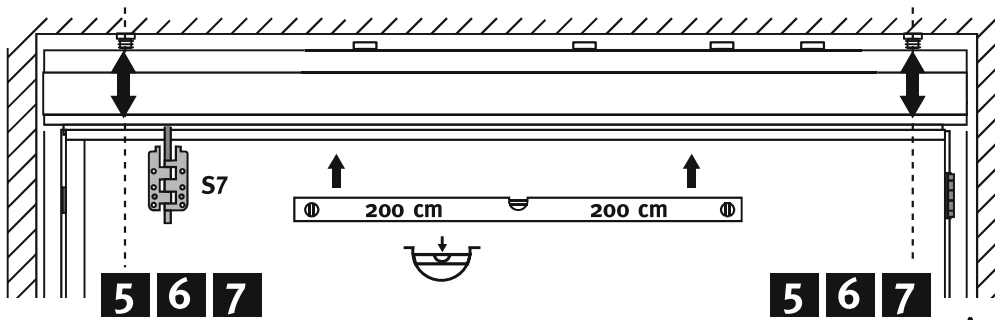
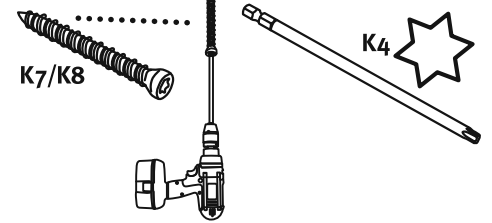
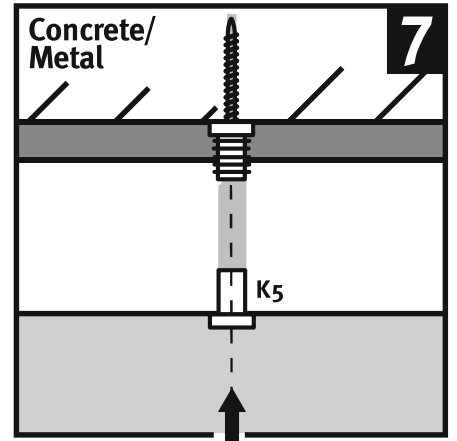
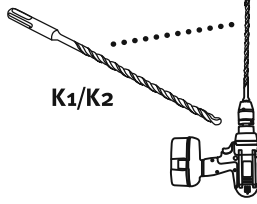
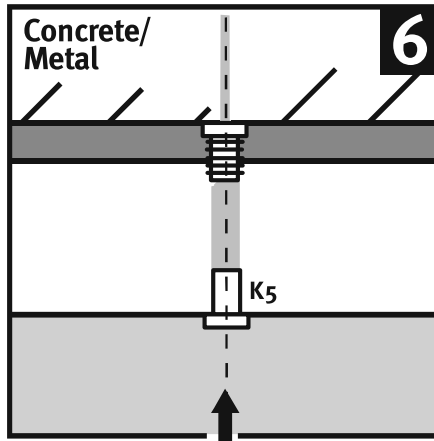
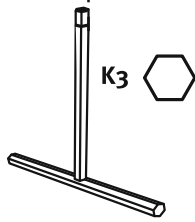
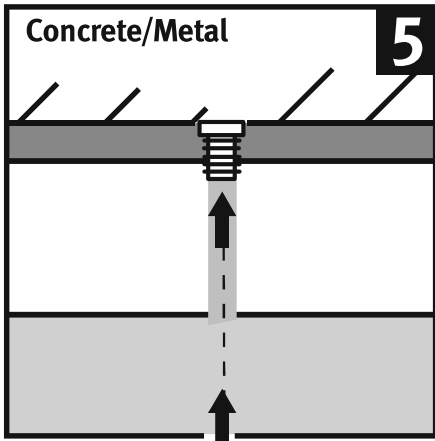
A video says more than a 1000 words.

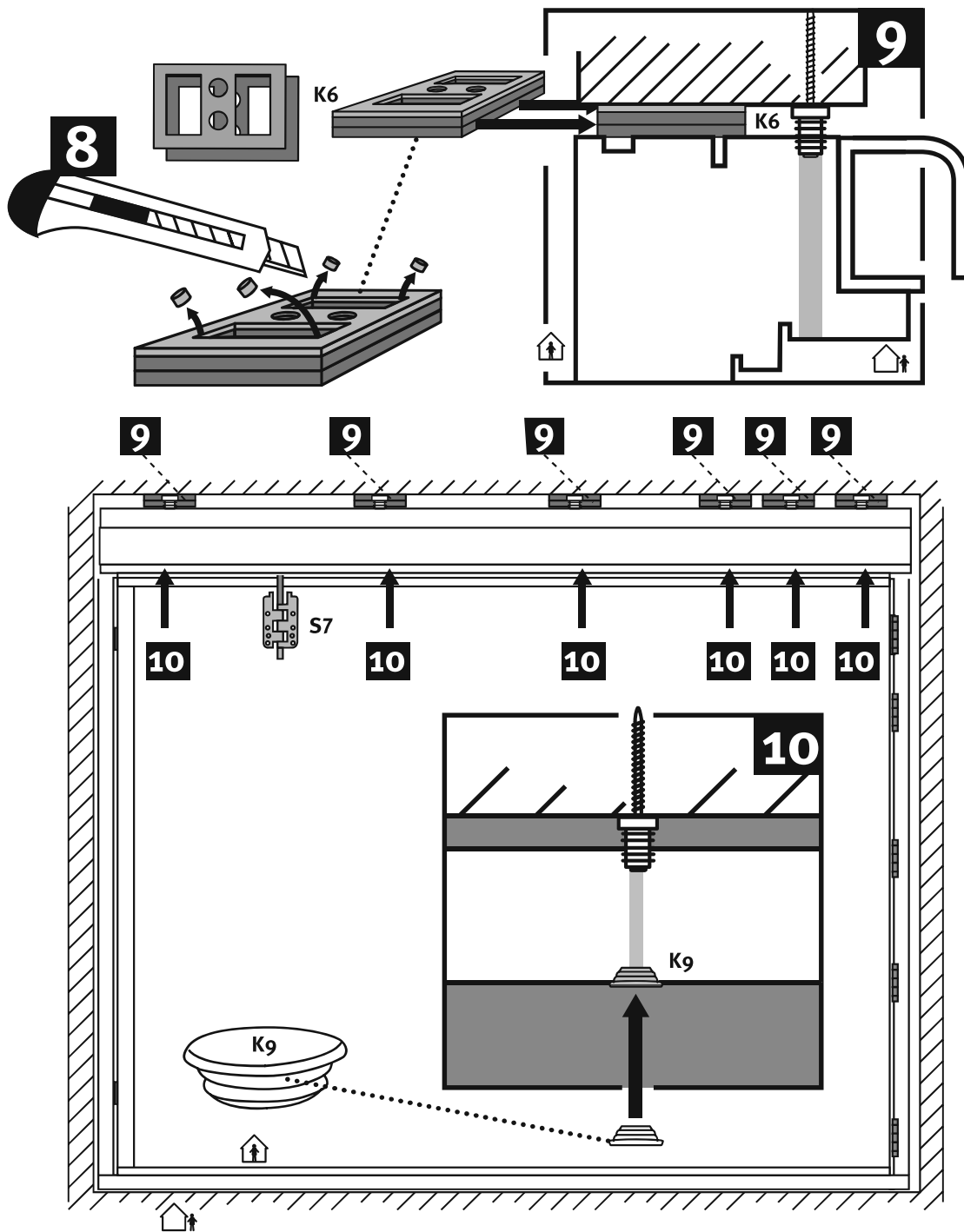


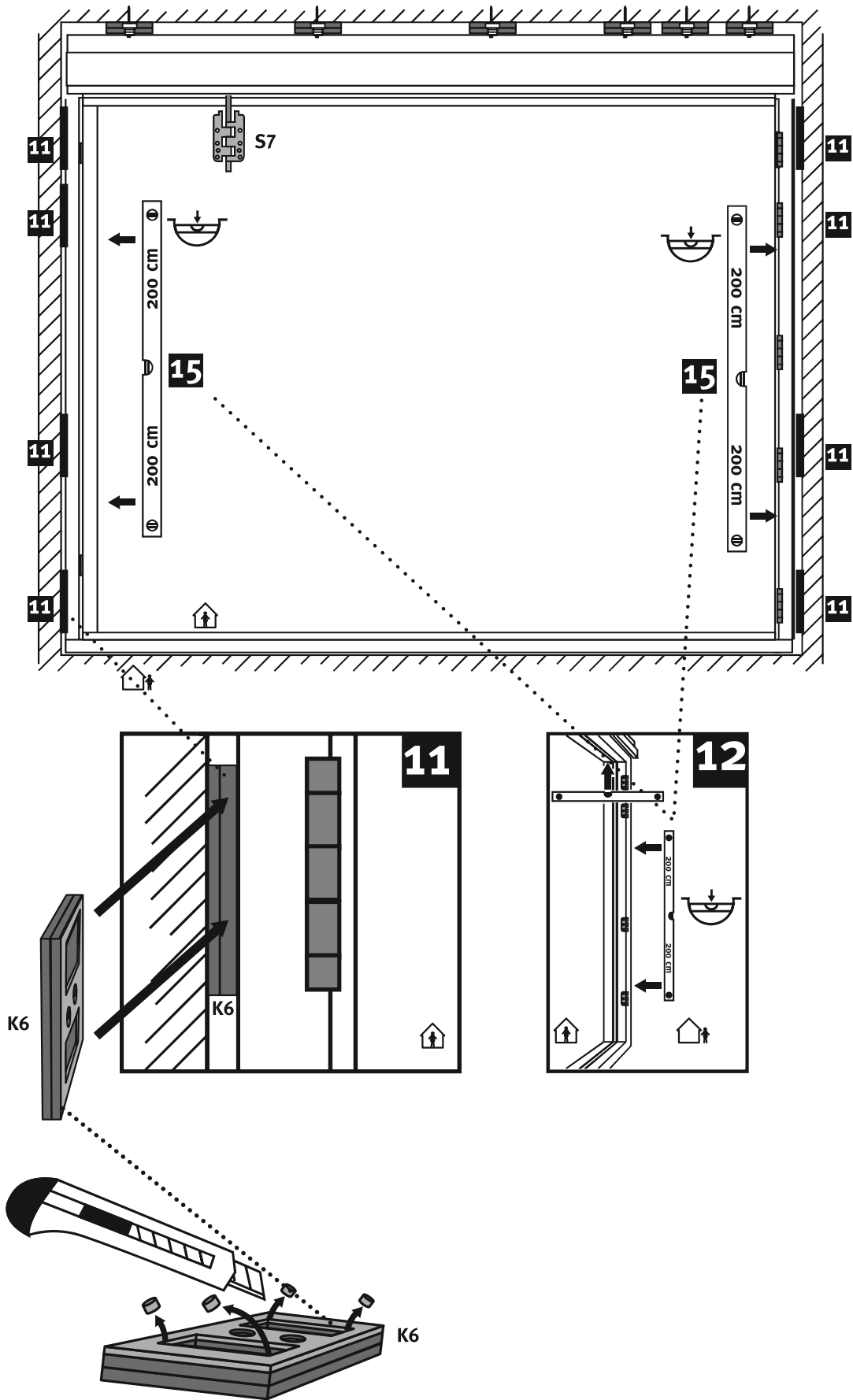
Best Regards
Lacuna A/S

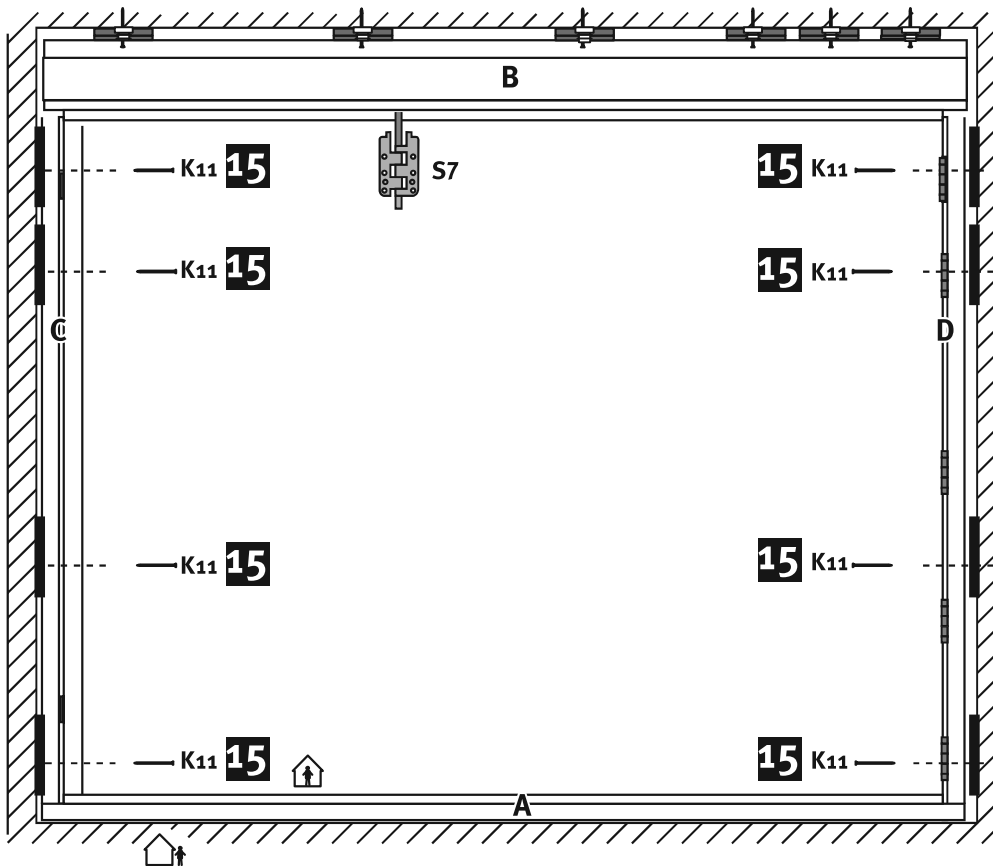
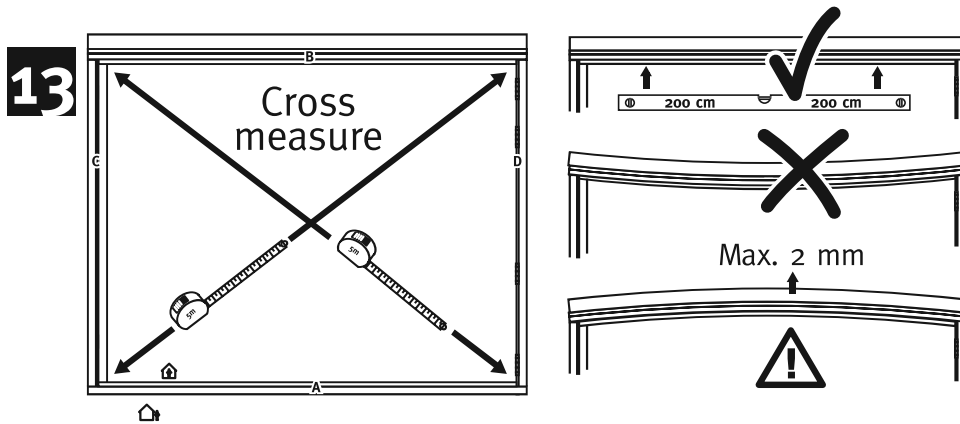




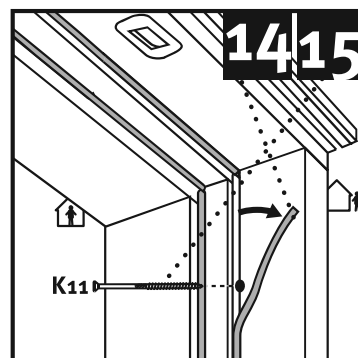


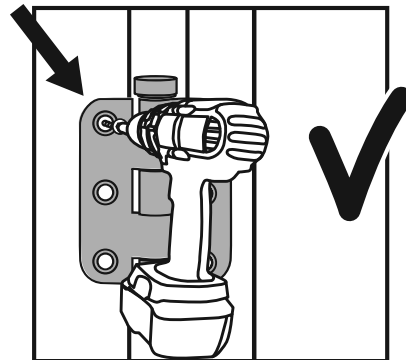
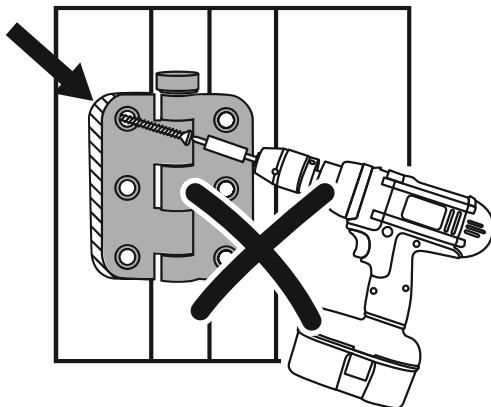
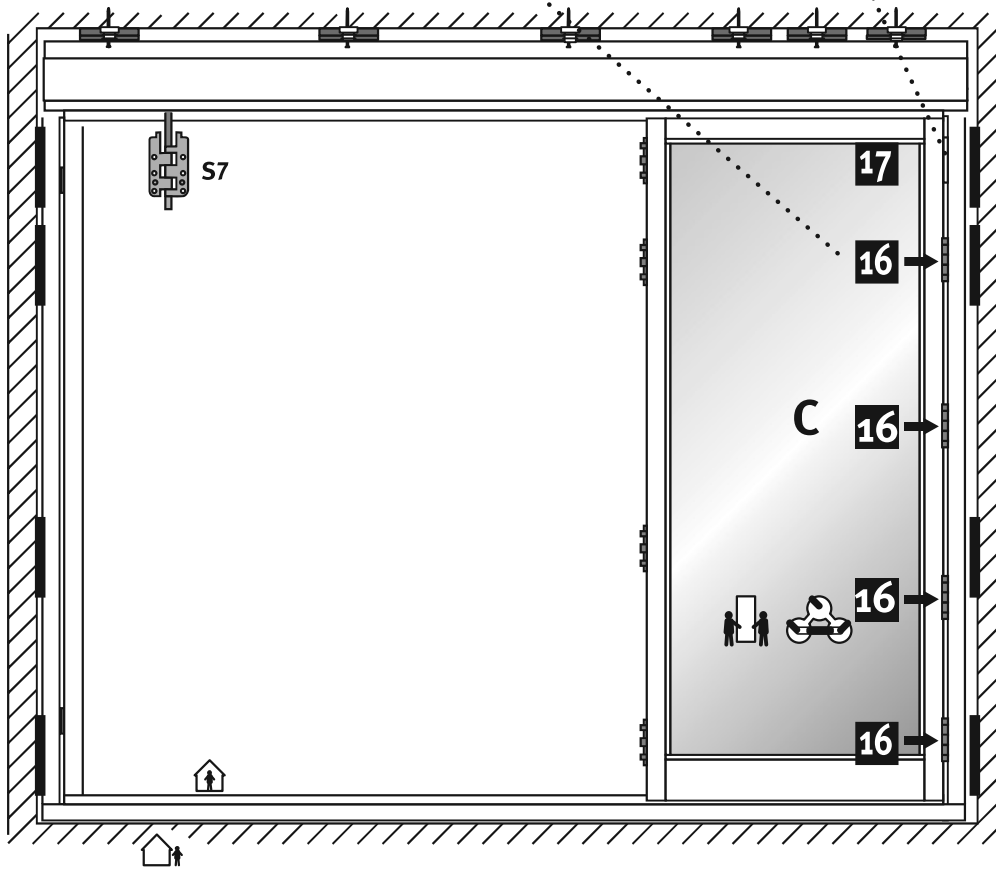
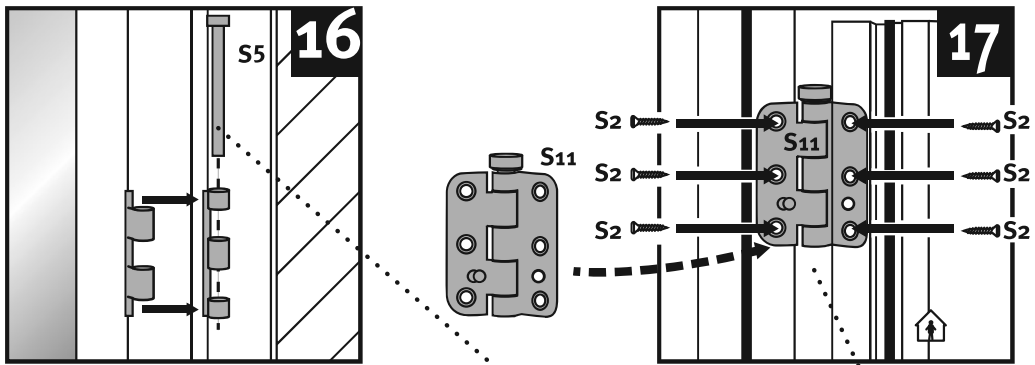


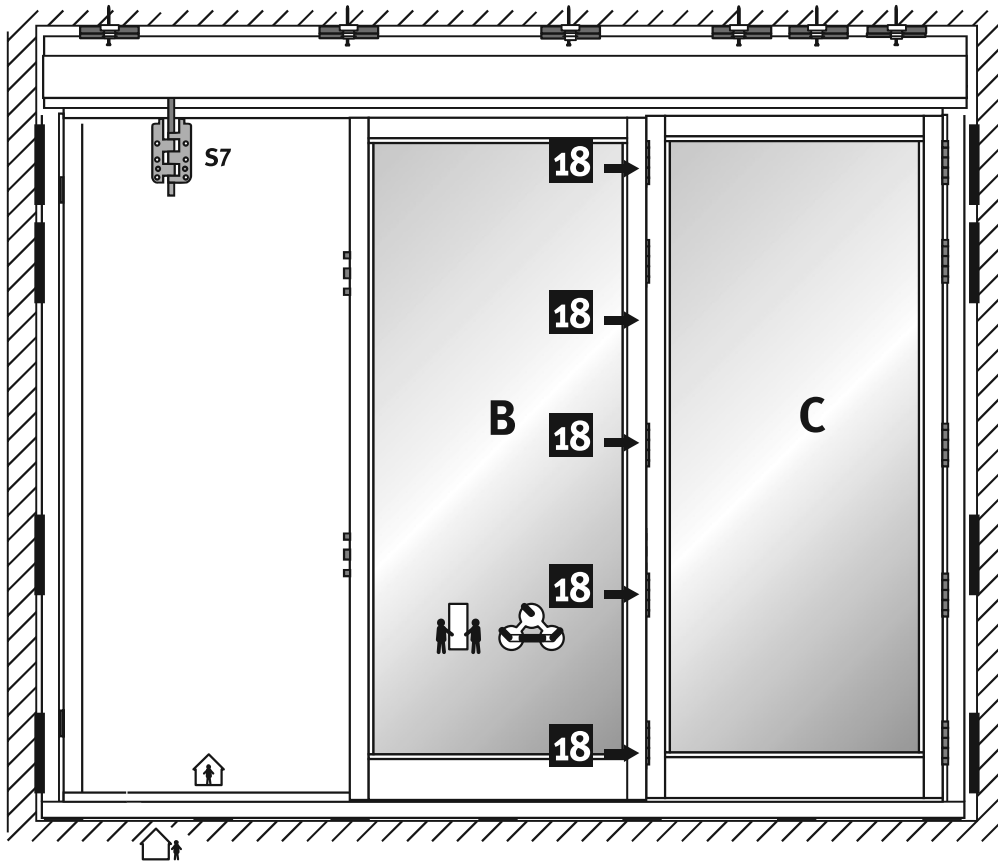
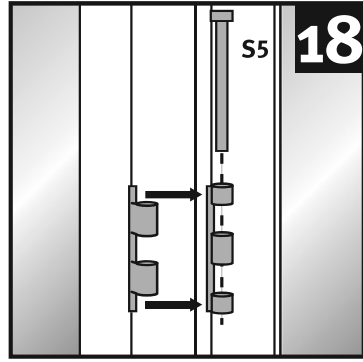


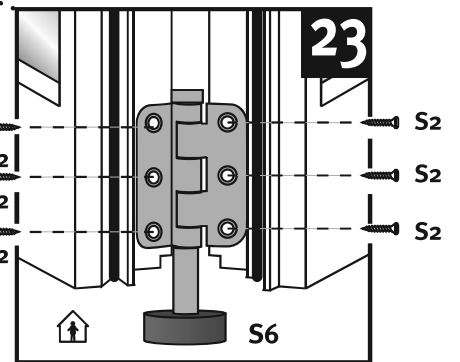
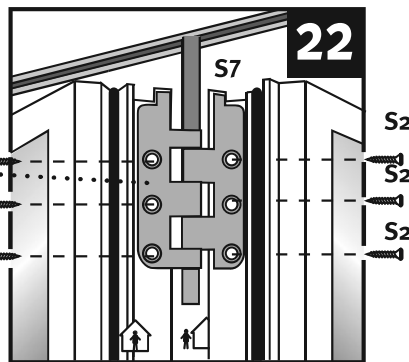
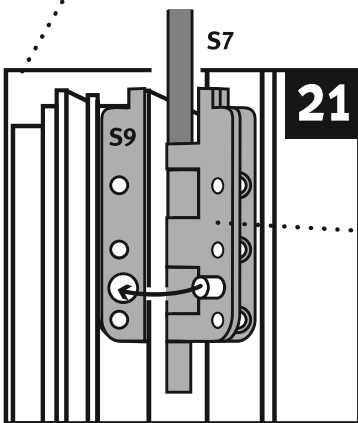
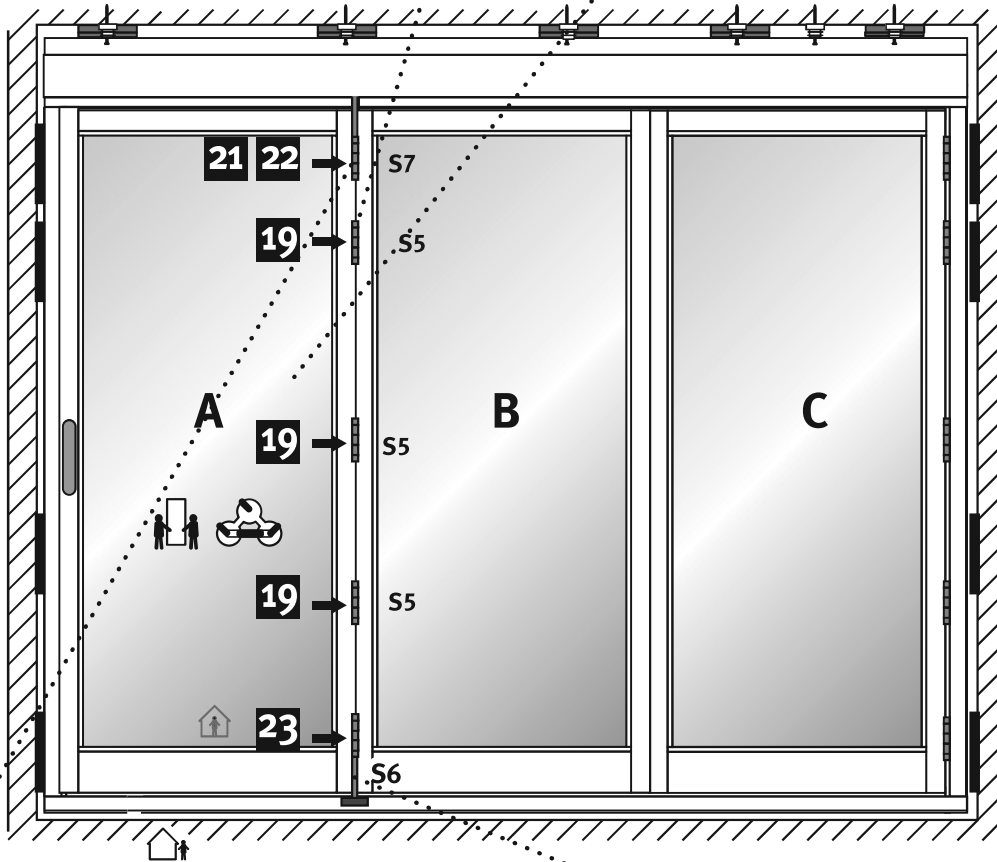
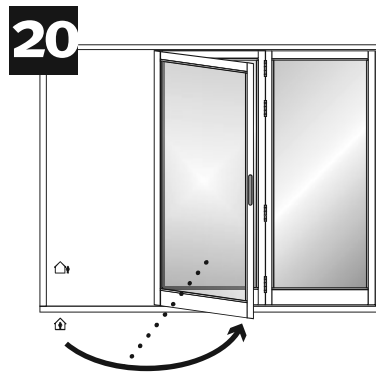
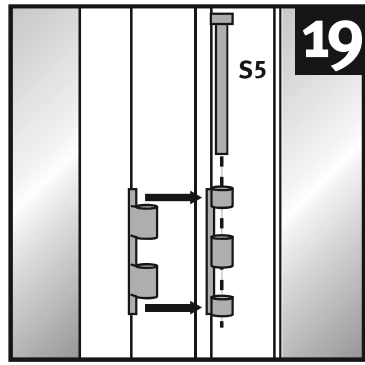


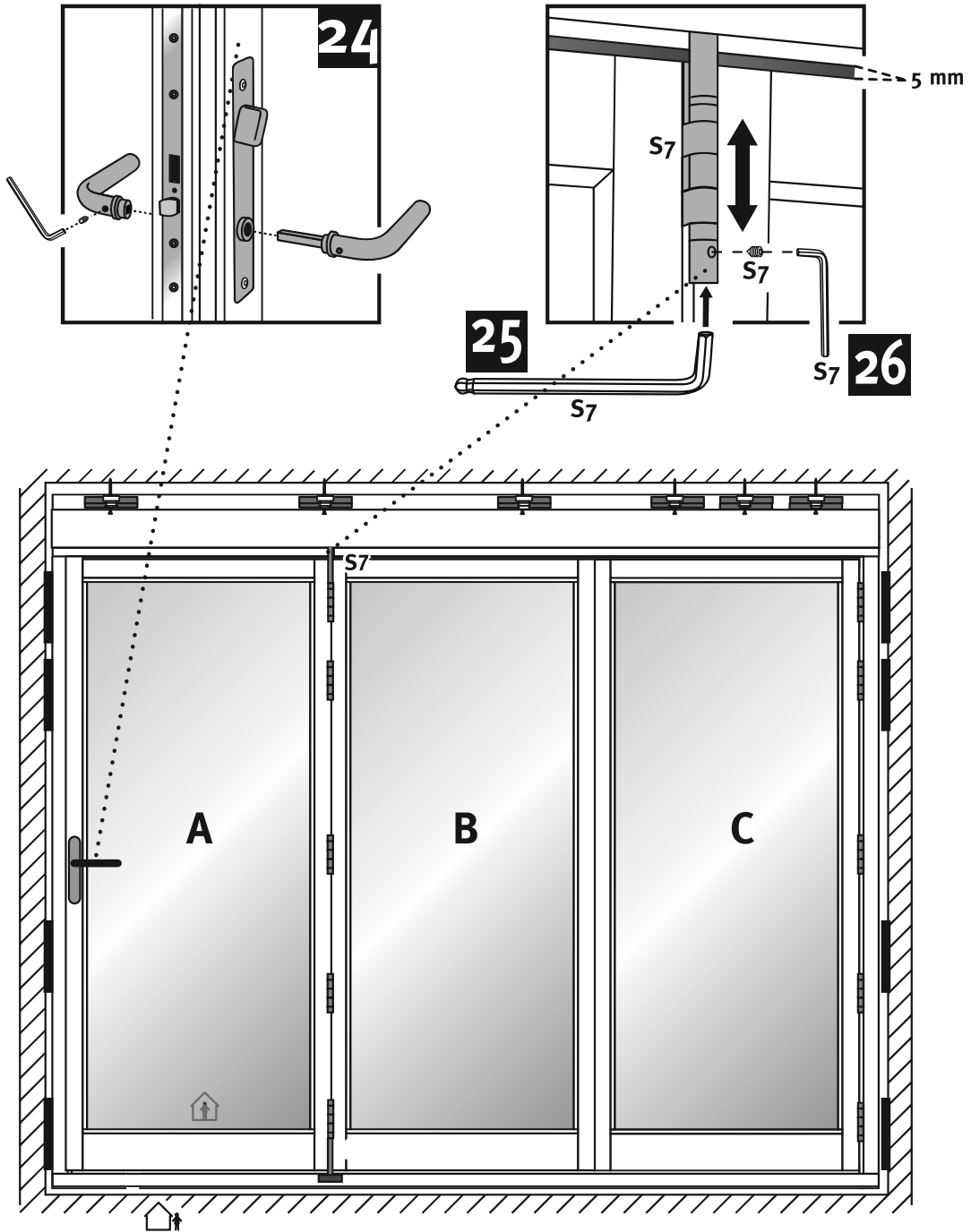
Hide screws if possible in pre-drillings behind gaskets on top and side frames. Reattach the gaskets.

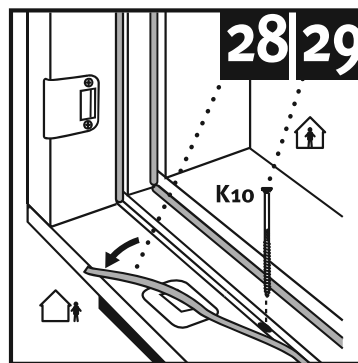
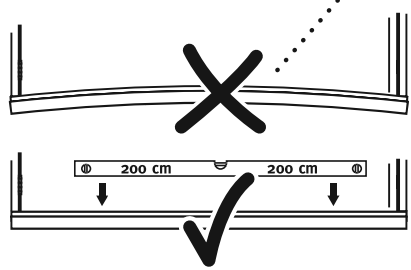
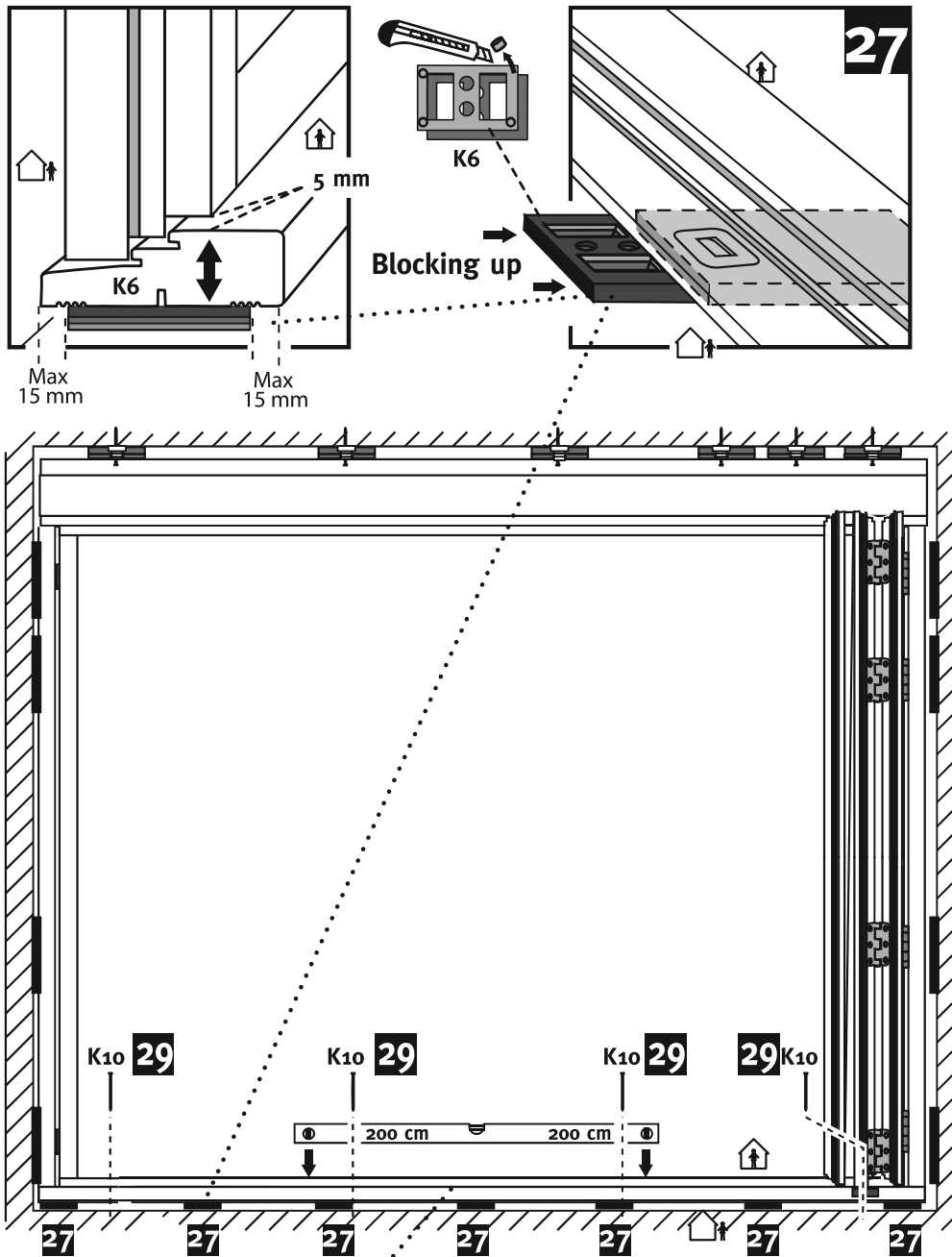






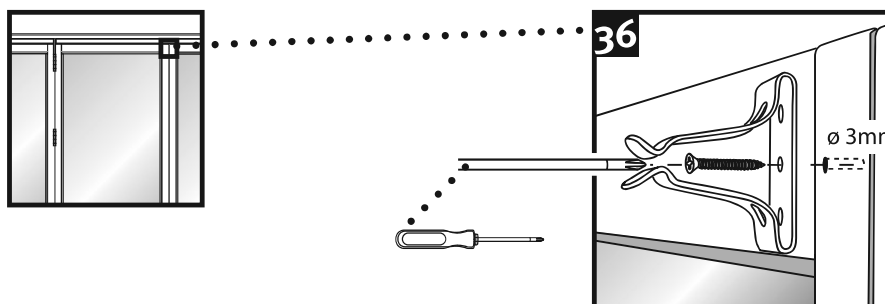
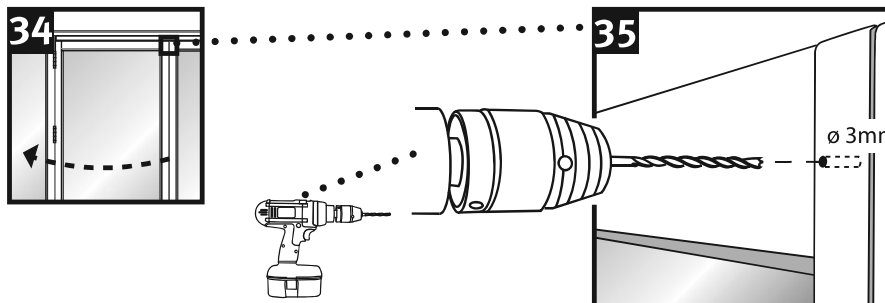
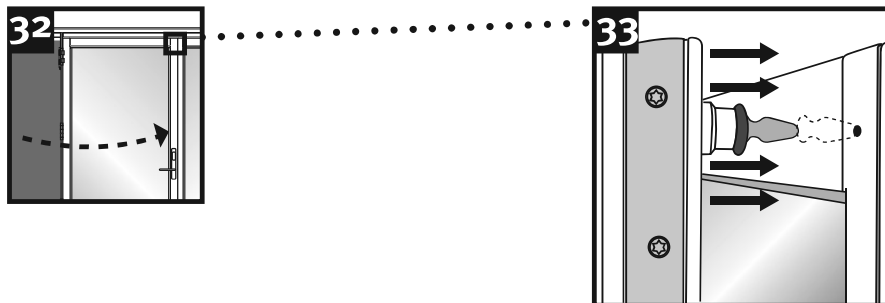
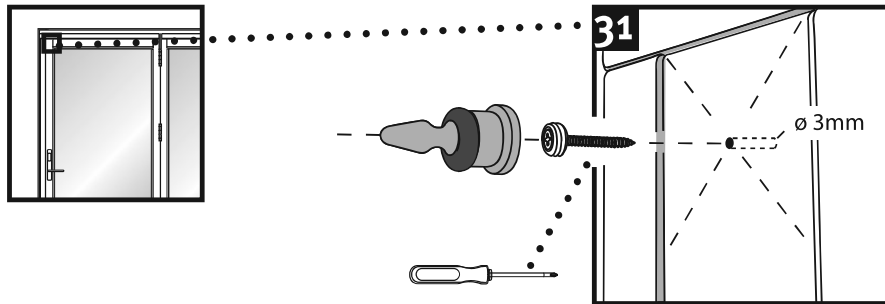
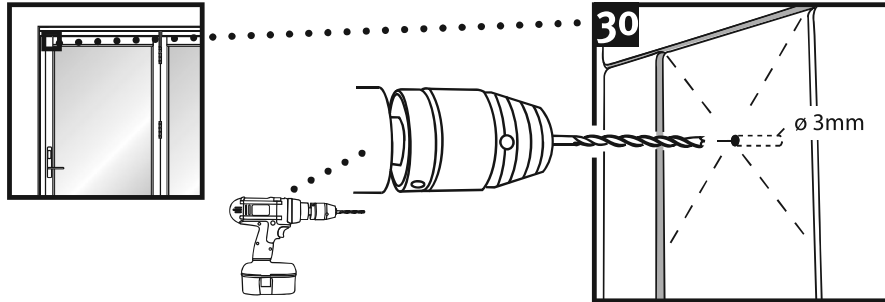
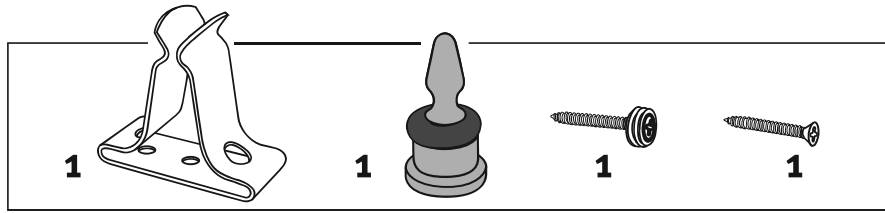


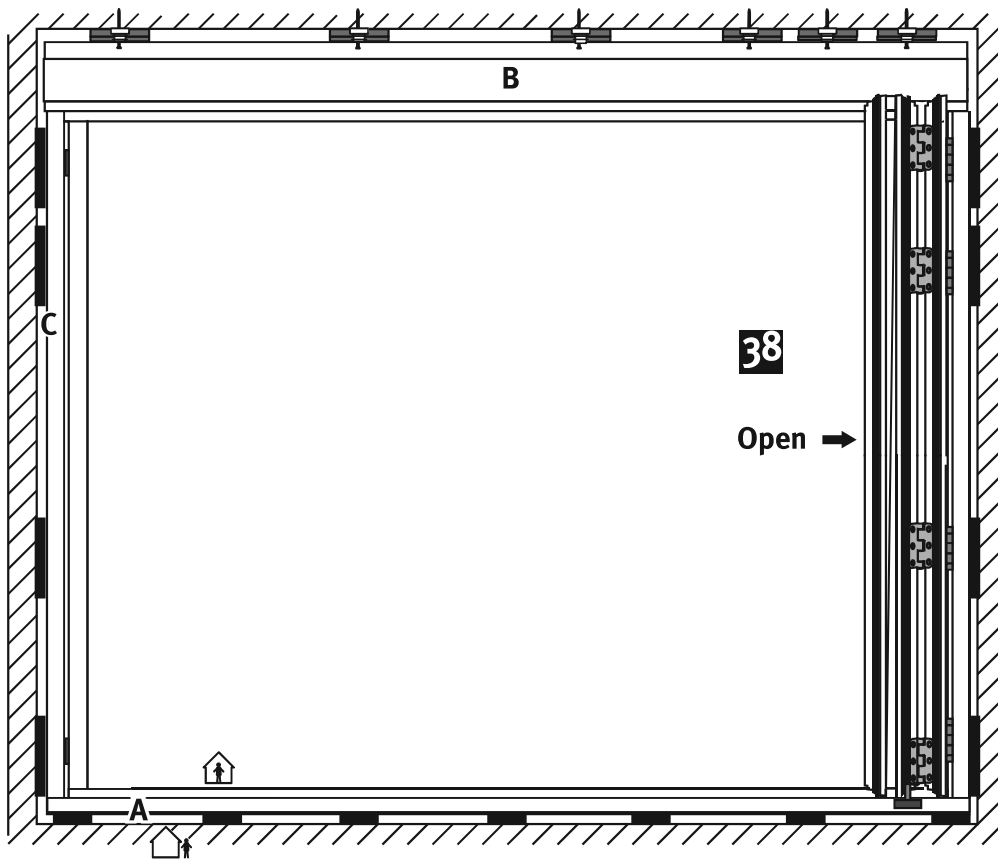
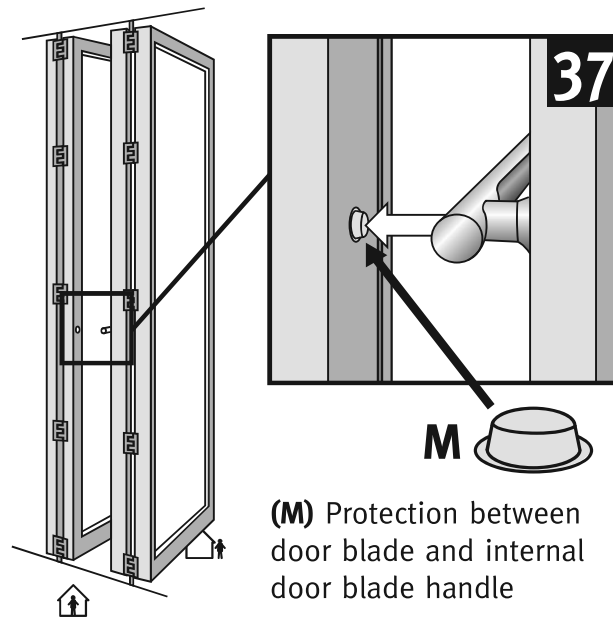




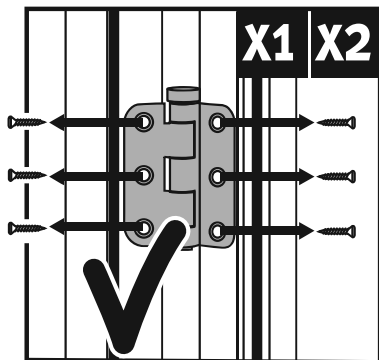
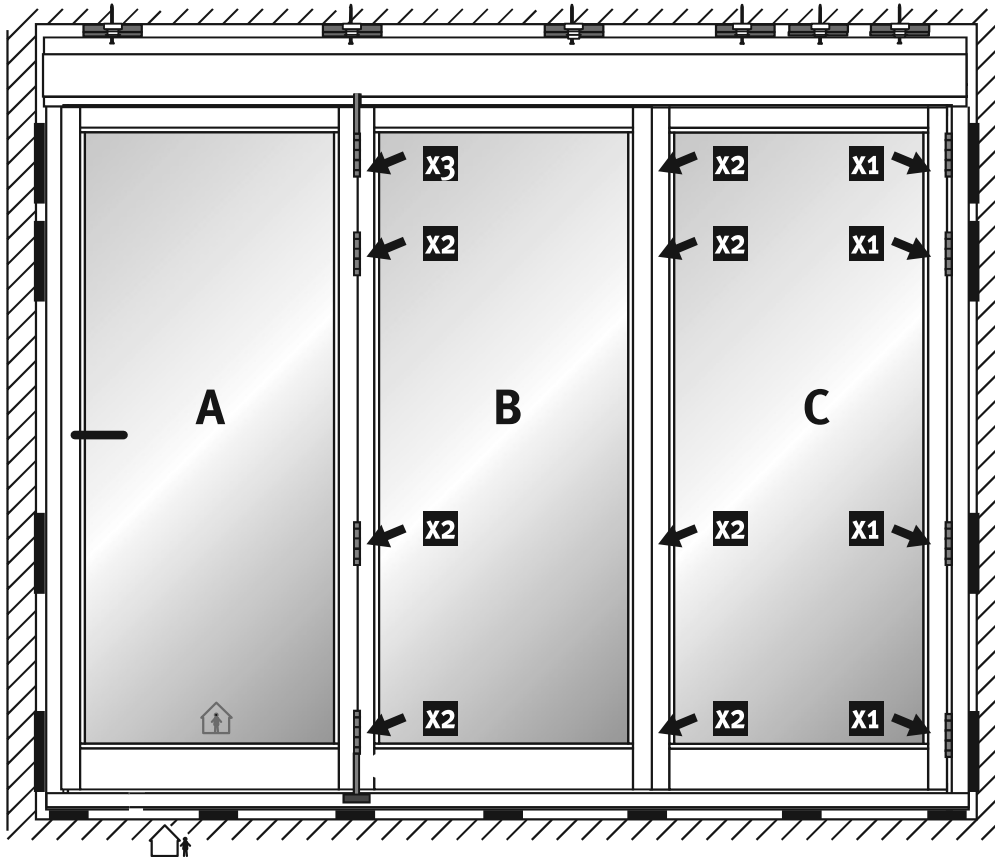
Hide screws if possible in pre-drillings behind gaskets on bottom frame. Reattach the

Installation of door holder

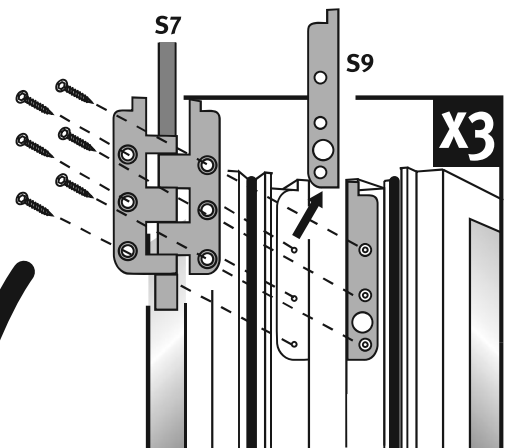
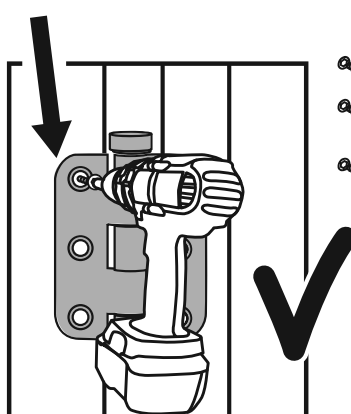
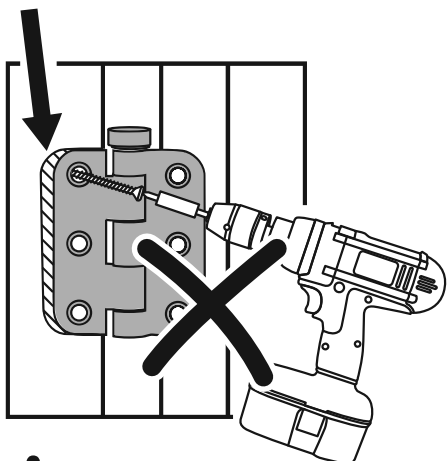
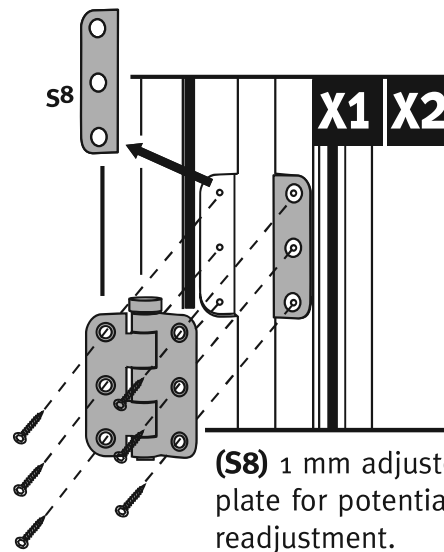




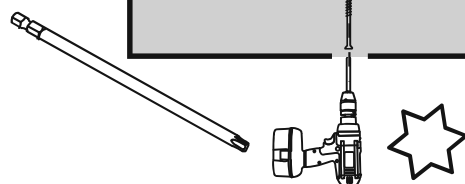
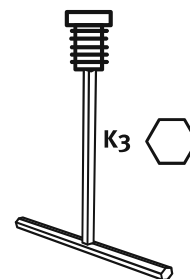
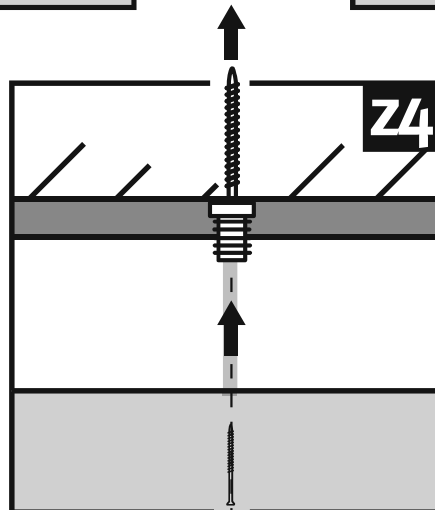
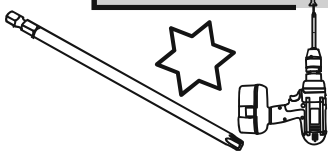
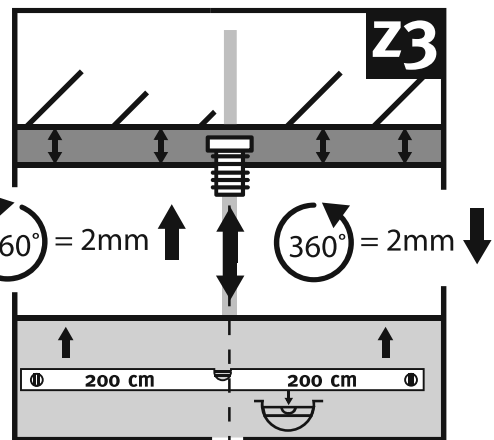
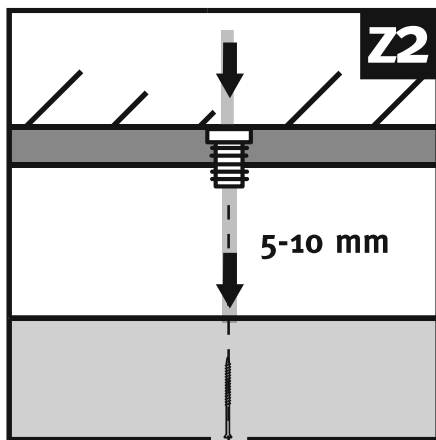
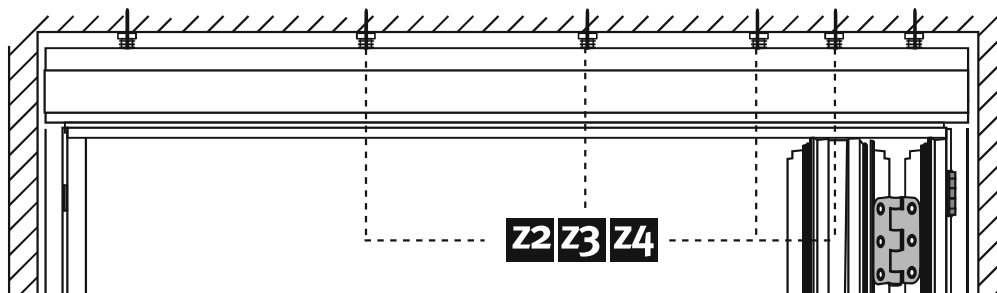
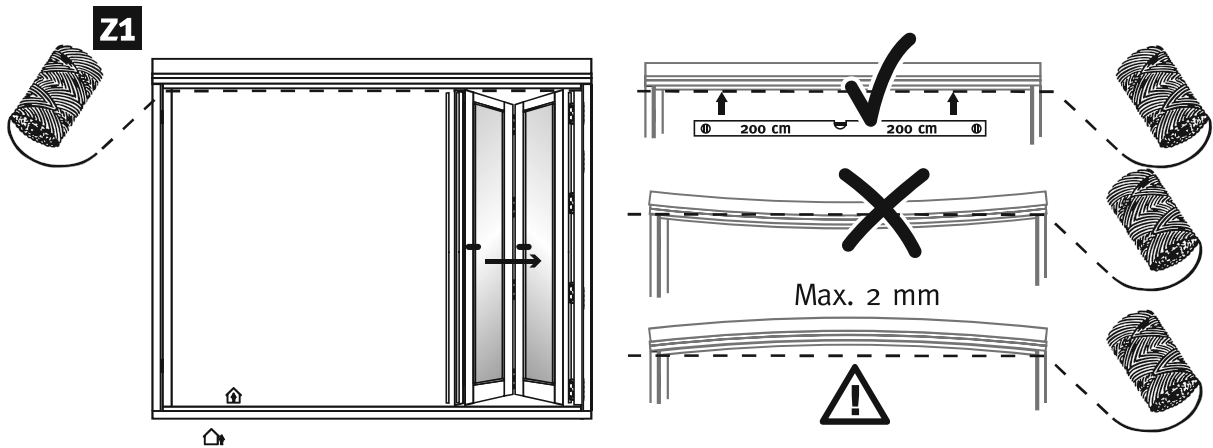
Potential adjustment of width



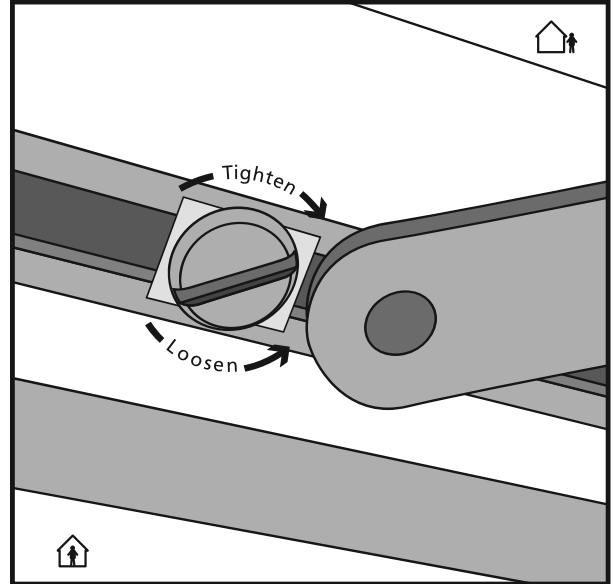
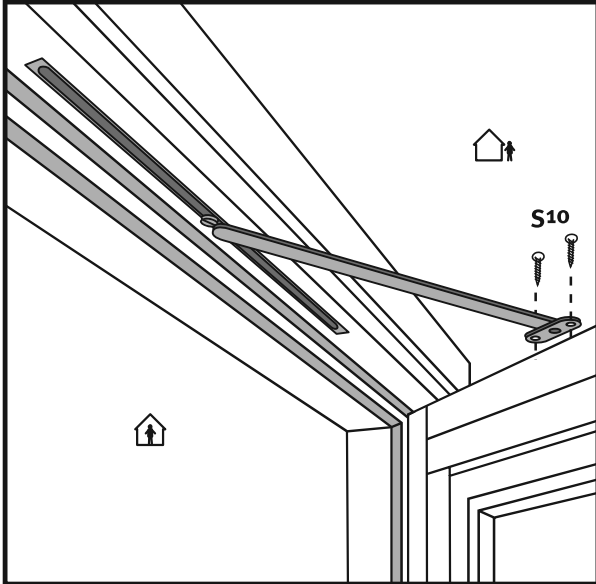
All screws in the hinge must be loosened before removal of the adjuster plates.



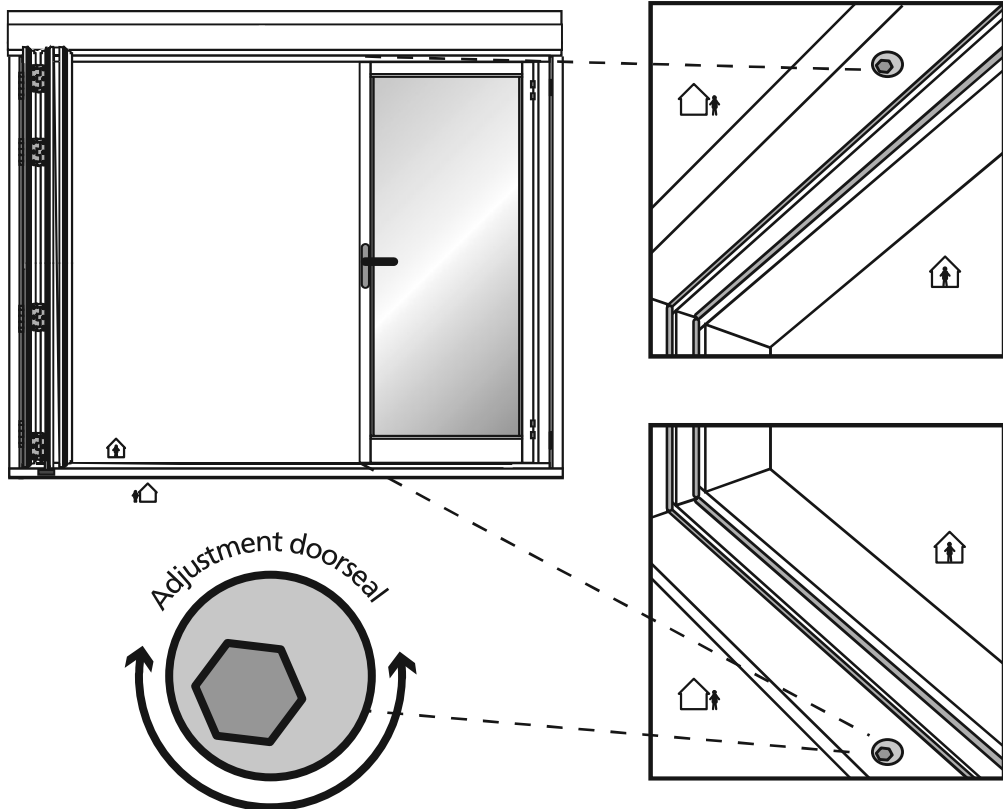
Potential adjustment of top frame



Friction brake installation and adjustment, 4, 6 & 8 leaf folding doors.



Adjustment doorseal 4, 6 and 8 leave folding doors

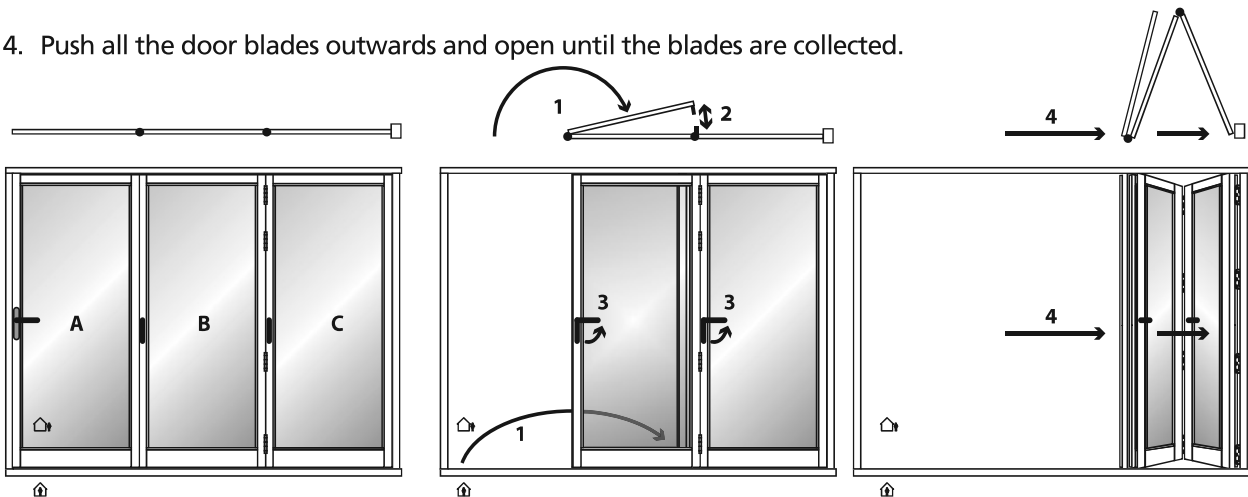


Operation

Facade folding doors are operated as follows:

Open

1. Open the facade opening door.
2. Fix the door in the door stopper on the next door blade.
3. Turn the door handles on all door blades to a horizontal position.
4. Push all the door blades outwards and open until the blades are collected.



Closing

1. Pull all the door blades in, starting from the side frame.
2. Turn the door handles to a vertical position, again starting from the side frame.
3. Close the opening door last.
4. Push the opening door handle upwards to activate the locking mechanism.
5. Lock the door.

