



**ENGLISH
INSTALLATION
GUIDE**

**WITHOUT
INSTALLATION KIT**



Congratulations on your new Lacuna folding door

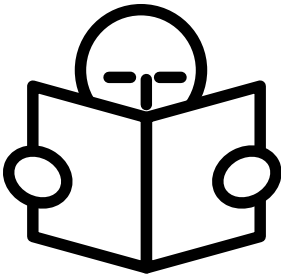
Our products are built to last 50 years or more. Modern technology and the best of materials make a Lacuna door a guarantee for beautiful design, high quality and longevity.

Our guarantee protects you against faulty material and manufacturing throughout the guarantee period, and as an industry first against decay and fungus as well.

Please read about our guarantee on our website.

Documentation

To activate the guarantee, this Installation guide must be provided to the end user upon completion of the installation.



Please read the following before unpacking and installation, in order to avoid damages and incorrect installation. Otherwise, it is at your own risk and **the guarantee becomes void**.



All parts and **packaging are photographed** at the factory.



Watch our **installation video** on www.lacunaofdenmark.co.uk



If possible, begin with the unpacking, assembling and installation of the frame.


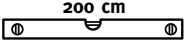









If possible, leave the door-leaves on the pallet, until they can be installed in the (almost) finished frame.



Please contact your local distributor regarding questions to the installation guide.



Required tools/people and materials for installation

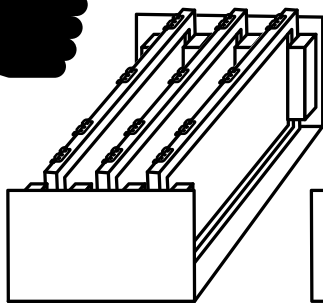
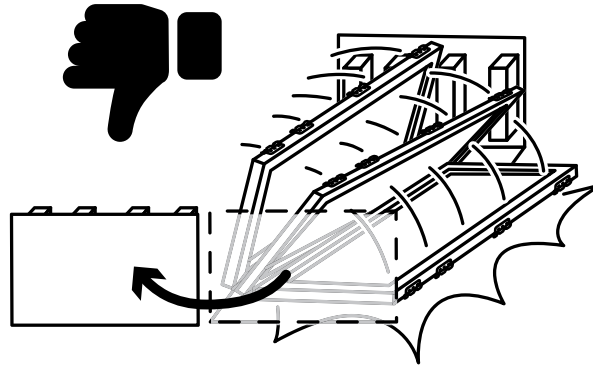
-  2 people to install
-  Spirit level
-  Measure tape
-  If available, a suction cup for glass
-  Drill
-  Drill bit, 6.5mm
-  Power screwdriver
-  Blocks for installation of the frame
-  Screws in various lengths and qualities
(As Lacuna do not know if the folding door is being installed in a timber, concrete or steel construction, no mixing / frame screws are included.)

Index

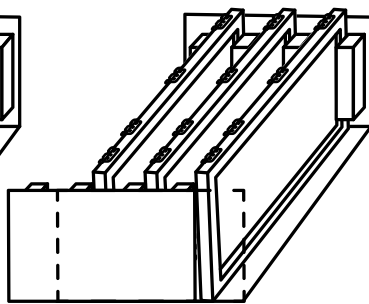
Assembling of frame	7
Installation of frame	8-9
Installation of door-leaves	10-13
Final installation of frame	14
Installation of door holder	15
Installation of protectors at handles	16
Adjustment	17
Potential adjustment of width	18
Operation	19
Bill of materials	20

Description

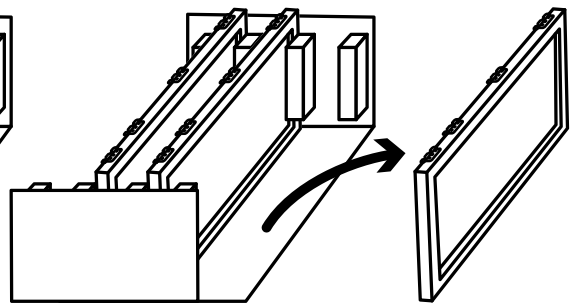
- S1** Component designation
- B** Installation order 1- 31
-  Seen from the inside
-  Seen from the outside



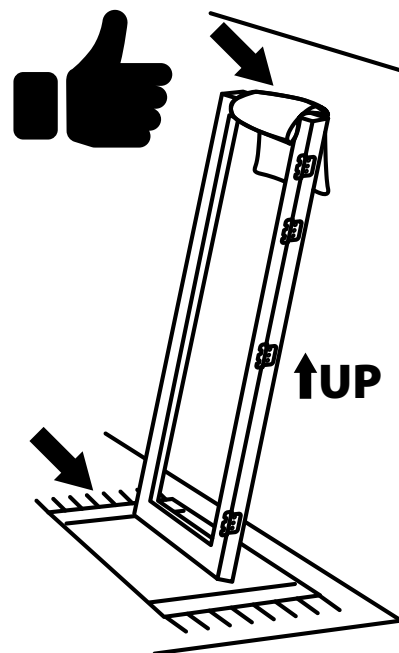
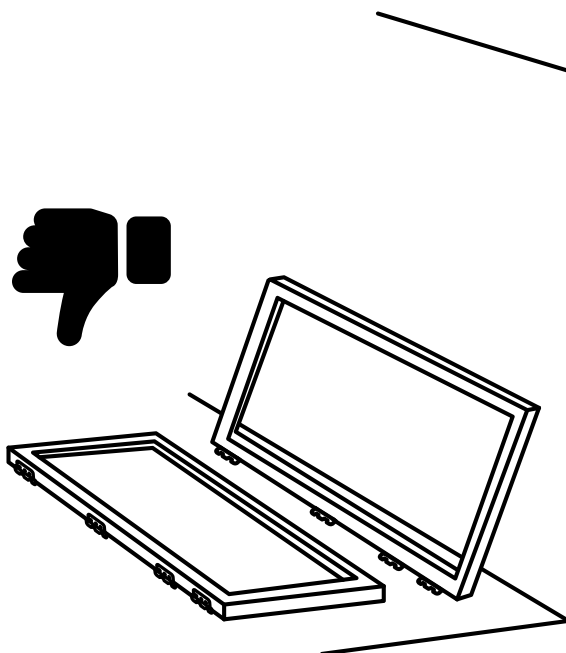
1



2



3



Installation guide for semi/self-supporting folding doors and windows with integrated sliding rail

To facilitate adjustment, it is important that there is space for blocking up/alignment of the frame on all sides. A 12 mm clearance should therefore be allowed between frame and building. The 12 mm around the frame is a rule of thumb; the clearance may be uneven so that 12 mm may be enough in some places, but not in others. It is important that the frame is installed exactly both vertically and horizontally (remember to cross measure).

PLEASE NOTE: The top rollers(s) should be installed into the top rail when the outer frame has been assembled, before the frame is set into the opening.

Please note that the permitted load on each top roller is 80+-200 kg depending on door blade size. When the doors are folded, a load of 75-500 kgs is permitted on one meter of rail, which must not deflect. For this reason, an exact, secure and stable installation of the rail and frame is crucial for a perfect result.

If required, folding doors from Lacuna can be adjusted with the included 1 mm adjustment plates. 1 mm adjustment plates are installed behind all hinges. Adjustment of width should only be carried out with the included 1 mm adjustment plates.



If the top frame has been mounted incorrectly, i.e. the top frame or thresholds are not 100% level, the outer frame needs to be straightened. Put the gasket back again.

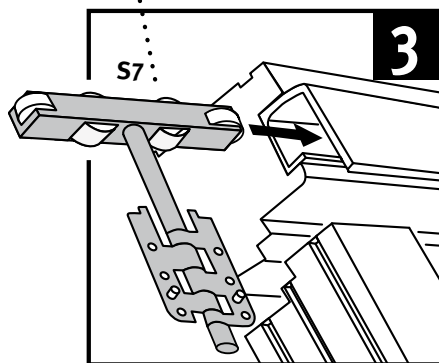
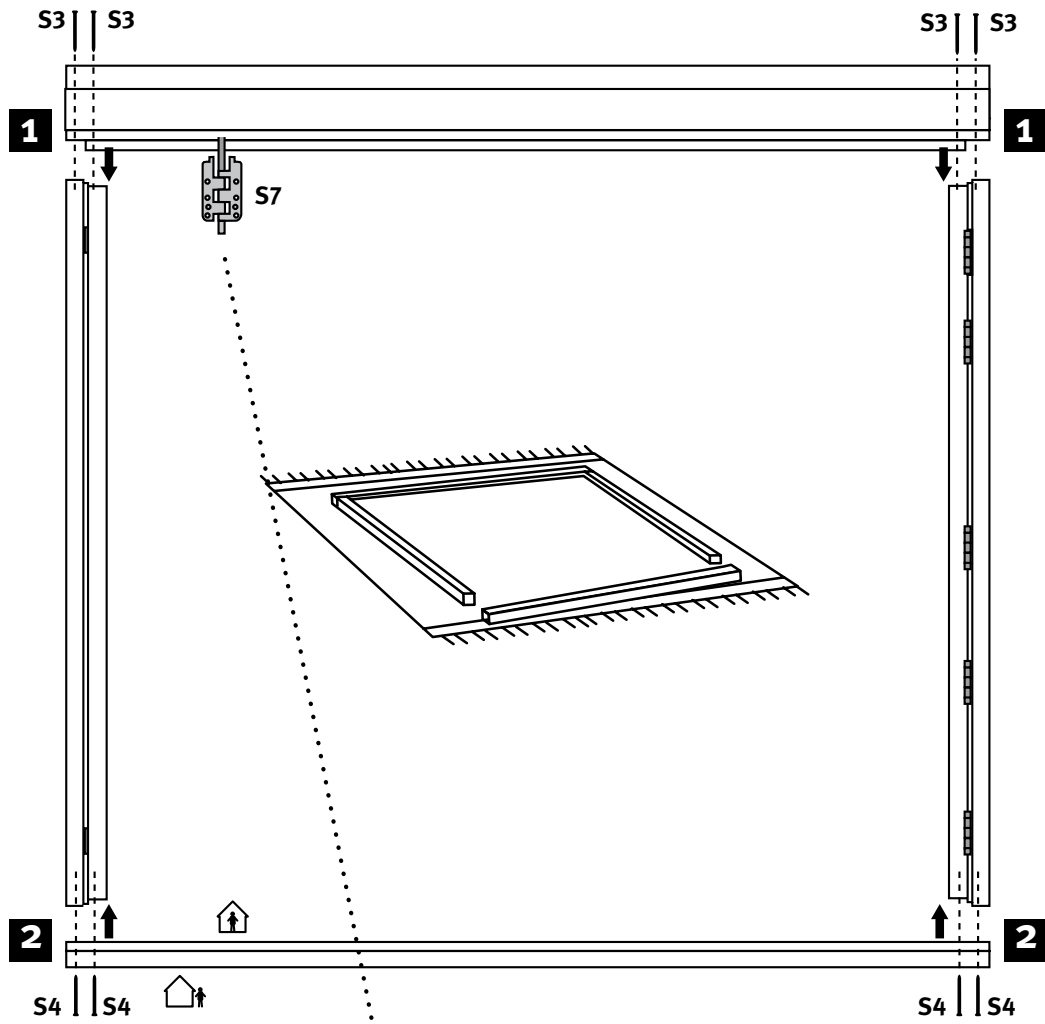
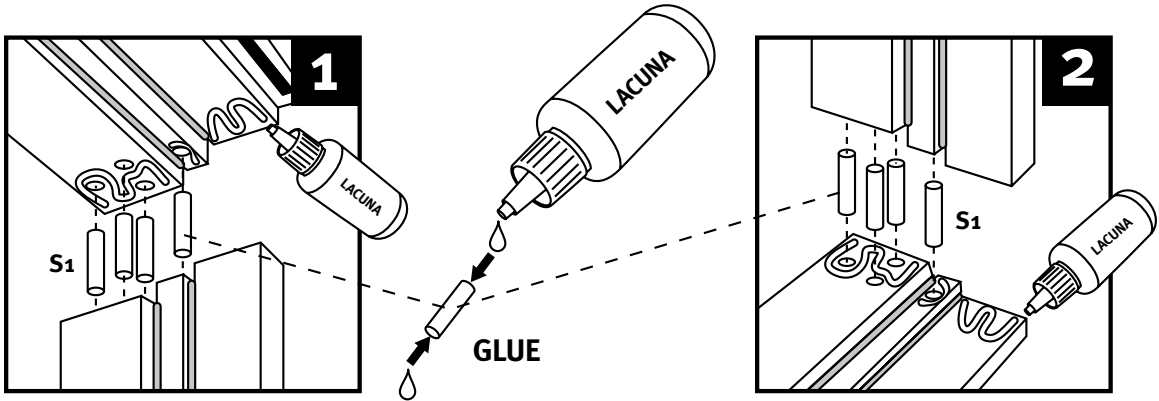


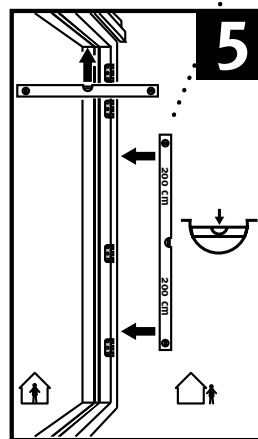
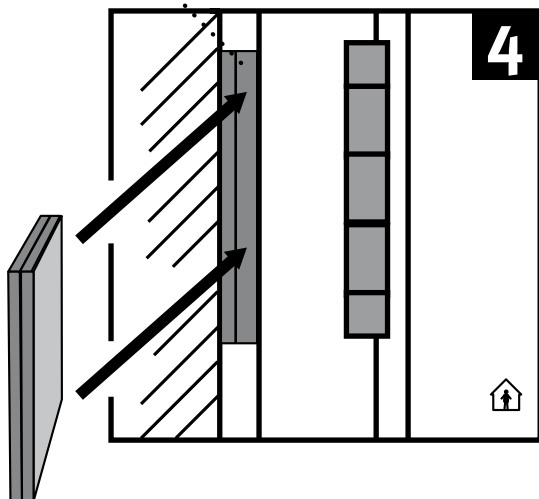
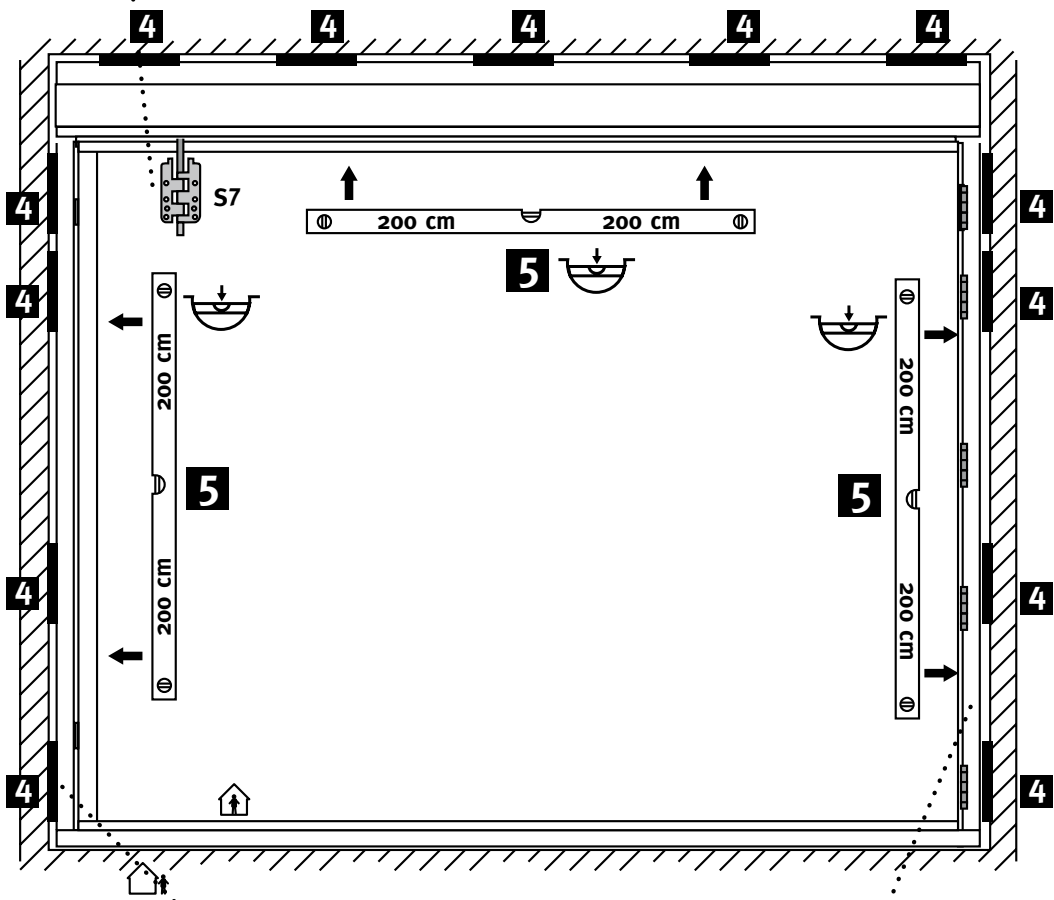
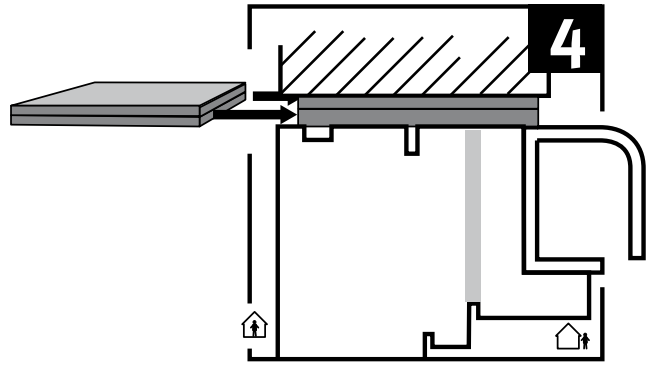
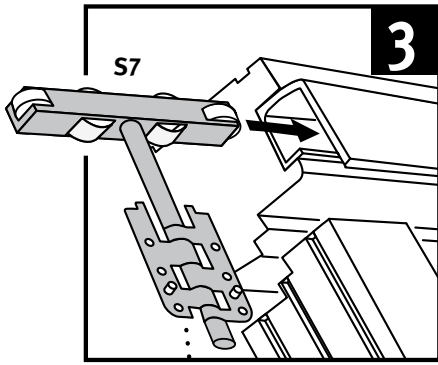
Please watch the installation video before you start.

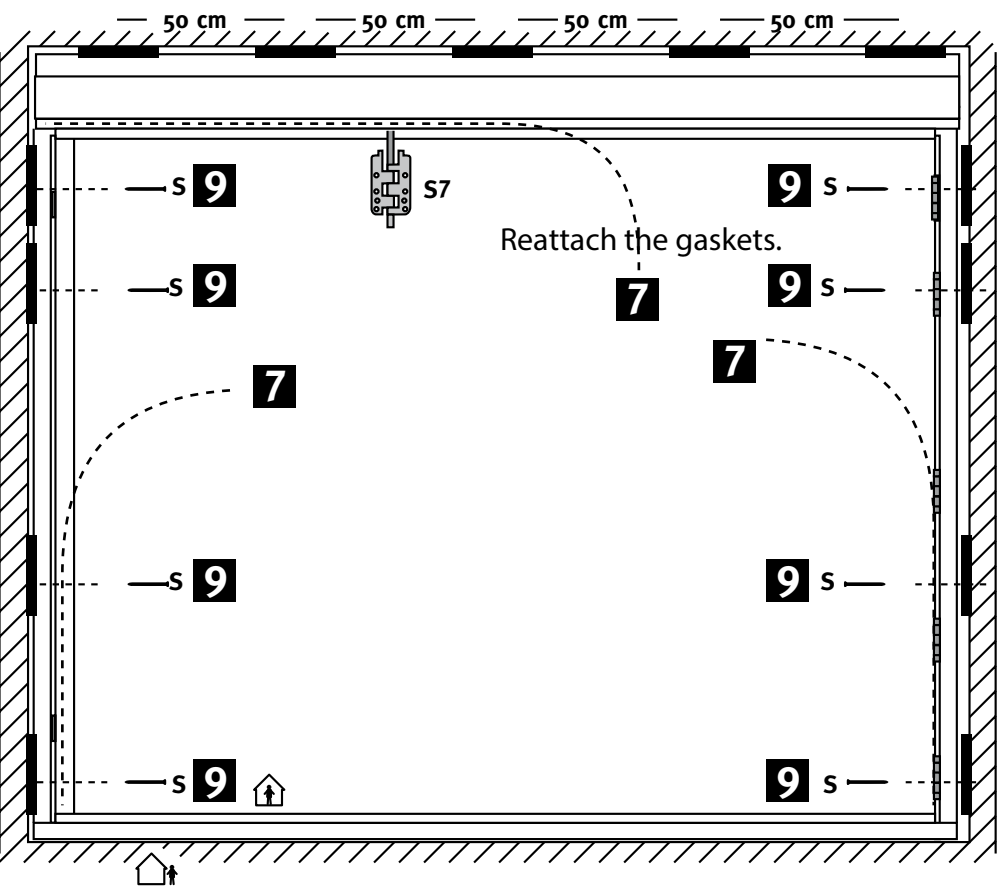
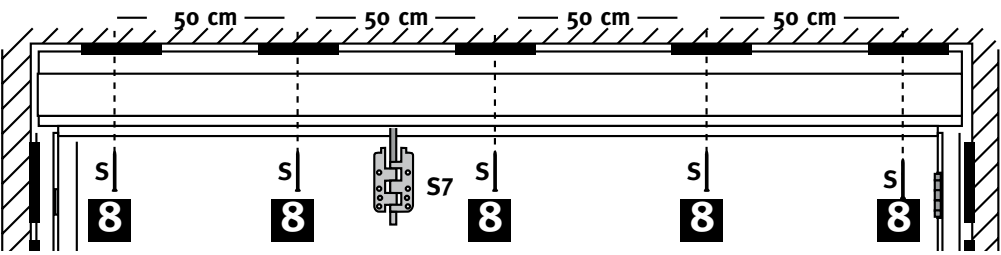
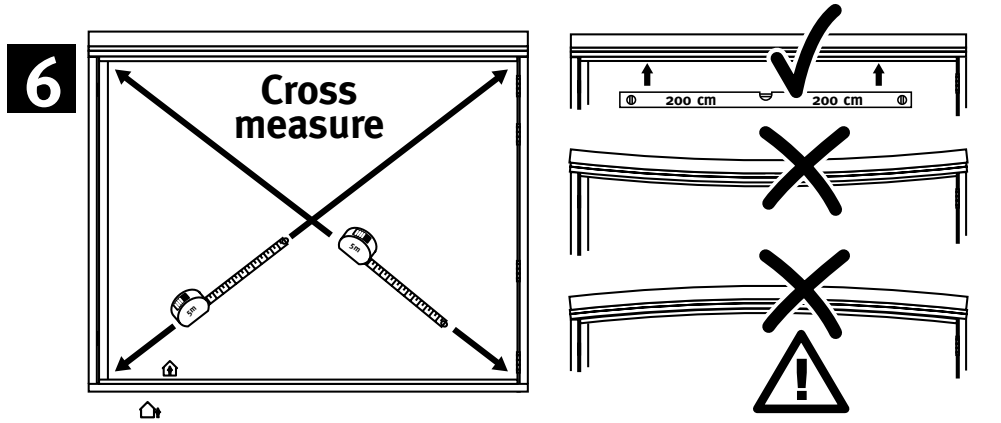
A video says more than a 1000 words.



Med venlig hilsen
Lacuna A/S

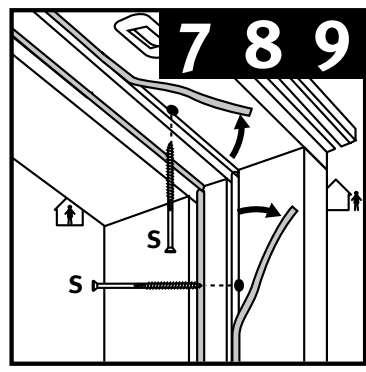


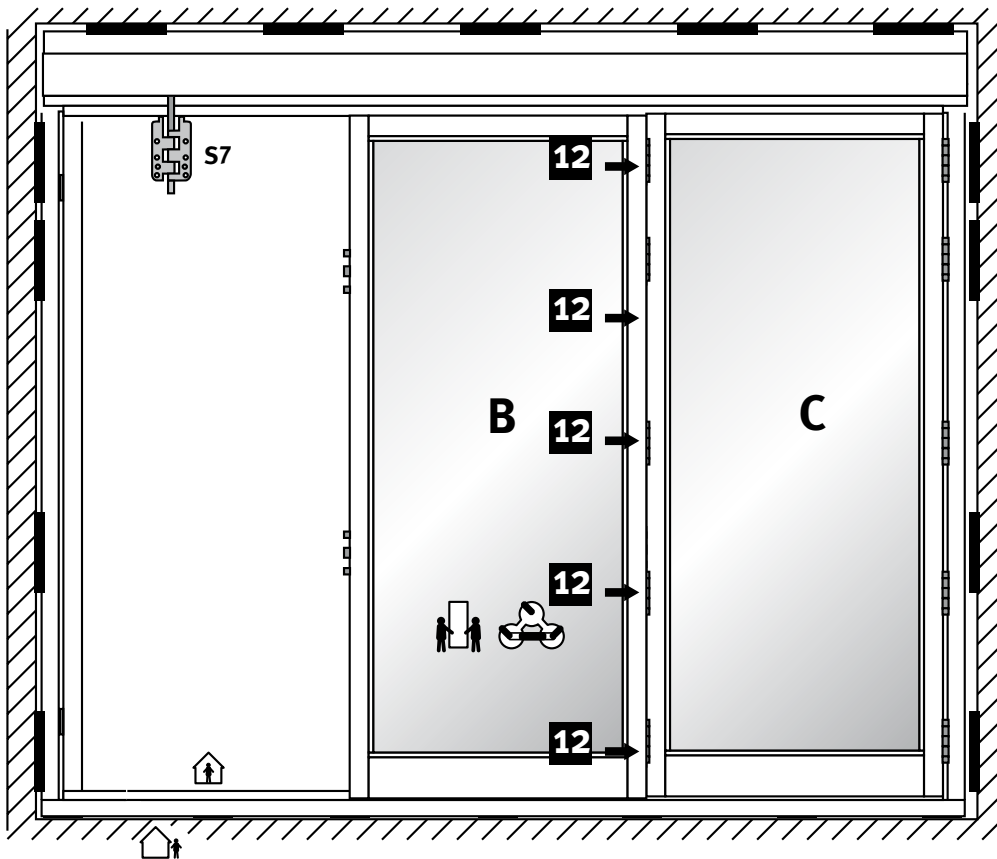
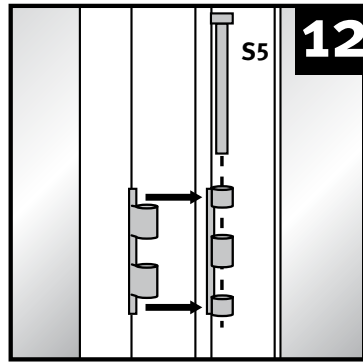


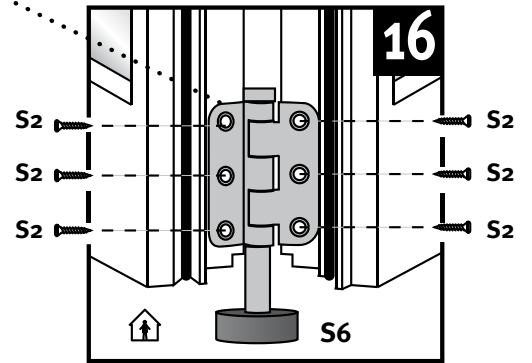
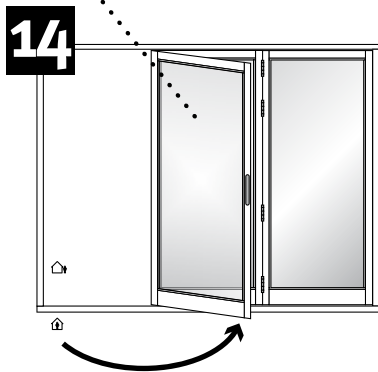
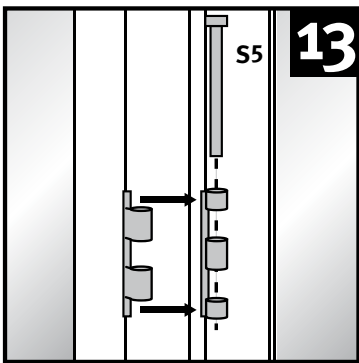
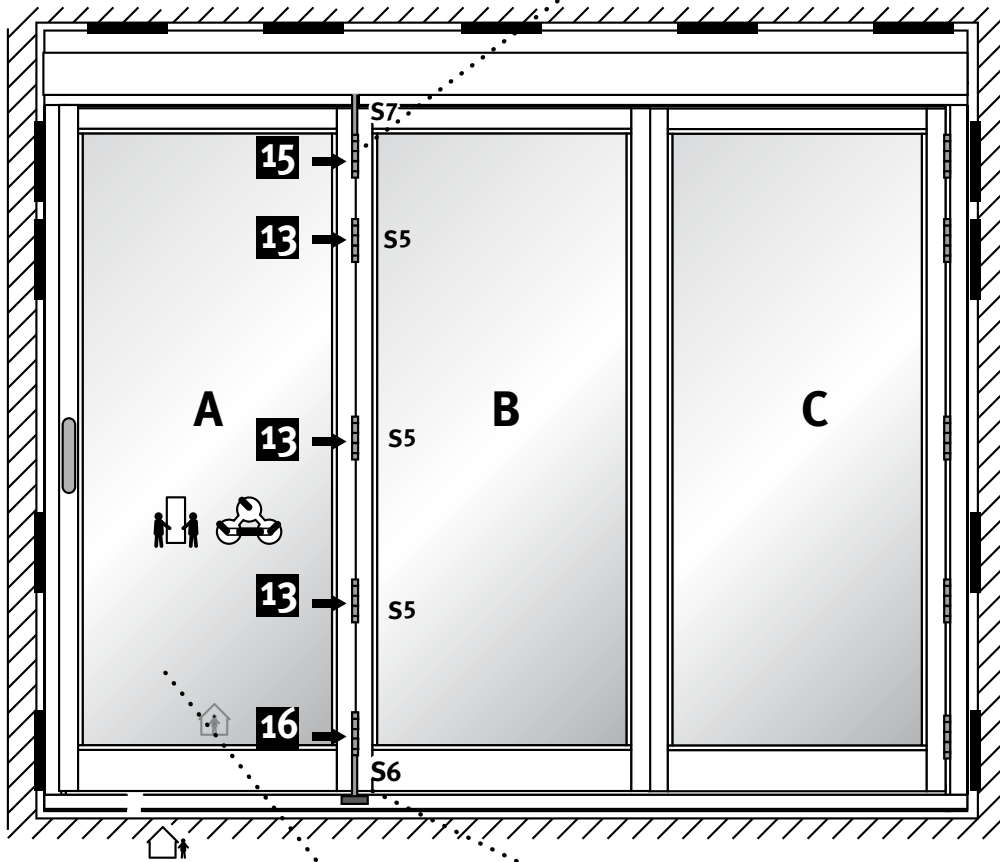
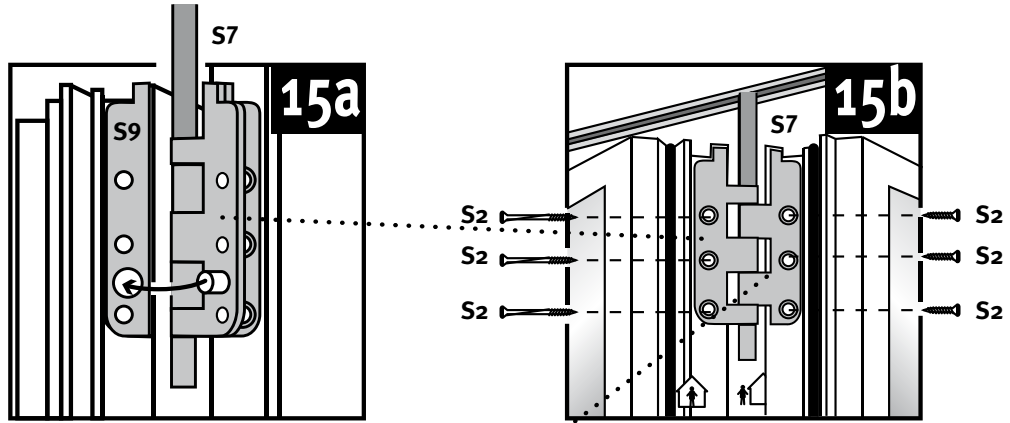


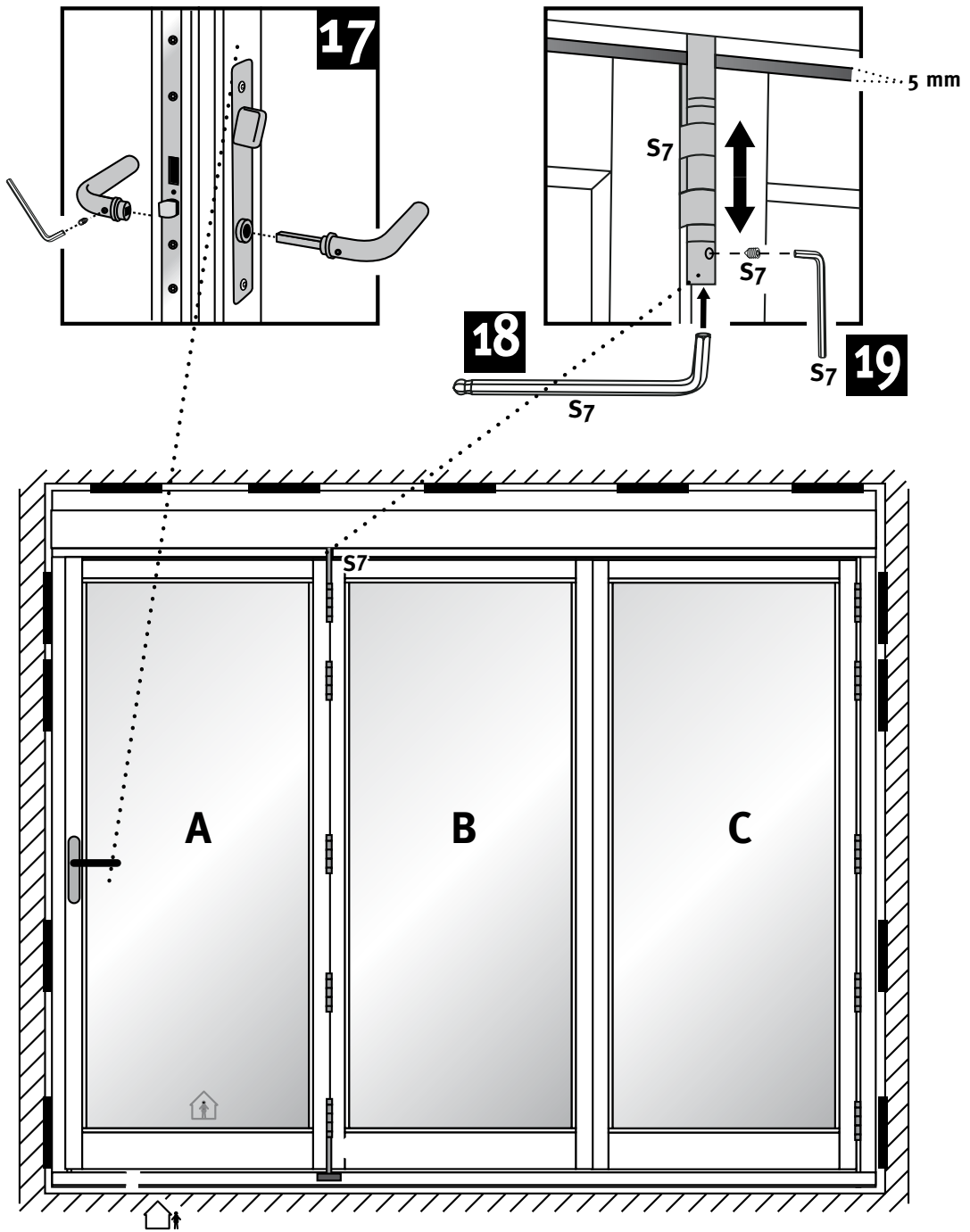
Hide screws if possible in pre-drillings behind gaskets on top and side frames. Reattach the gaskets.

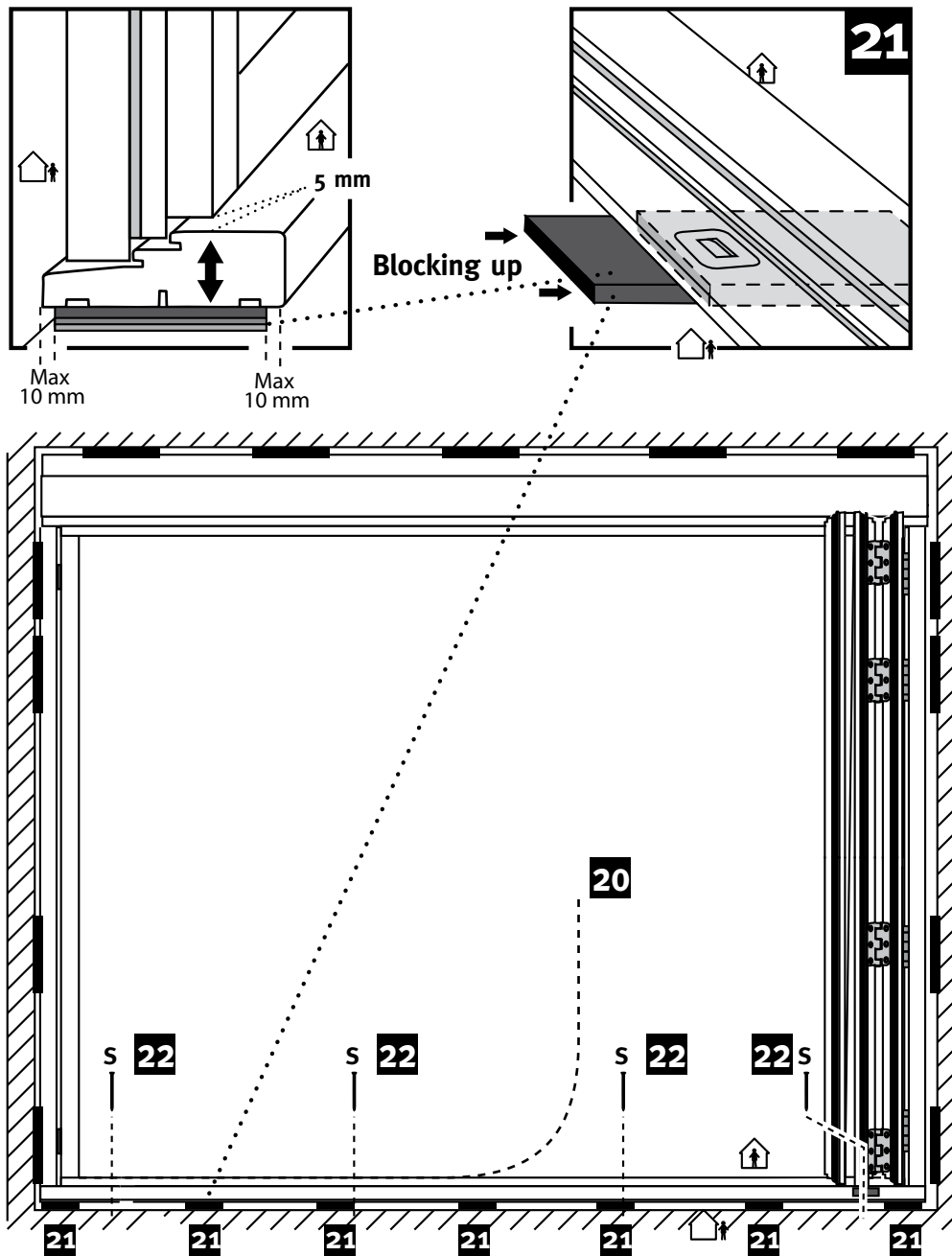
(S) Screws for fixing frames are not included





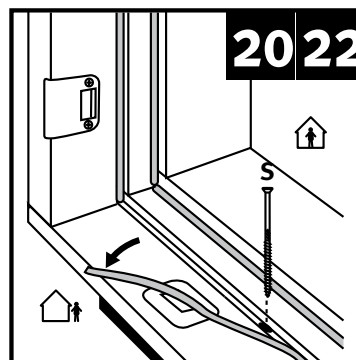






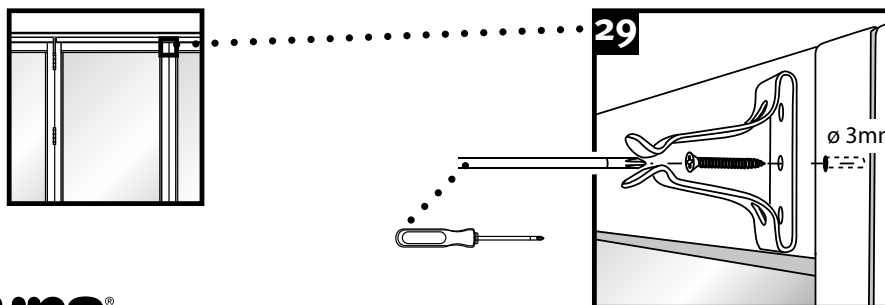
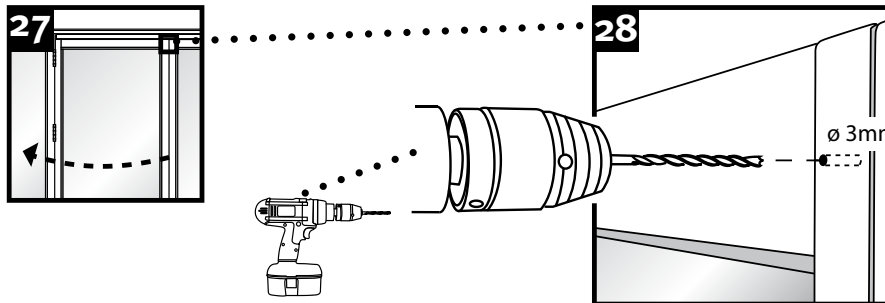
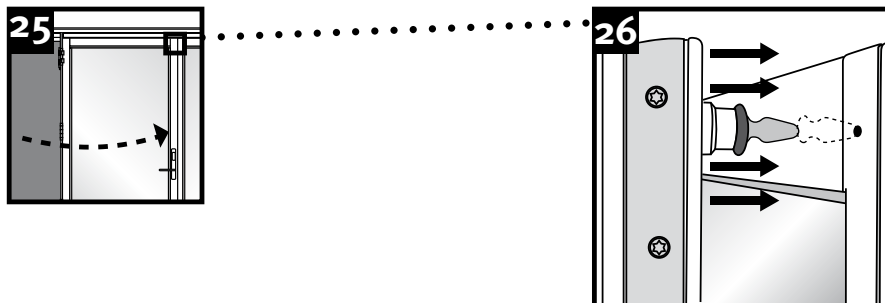
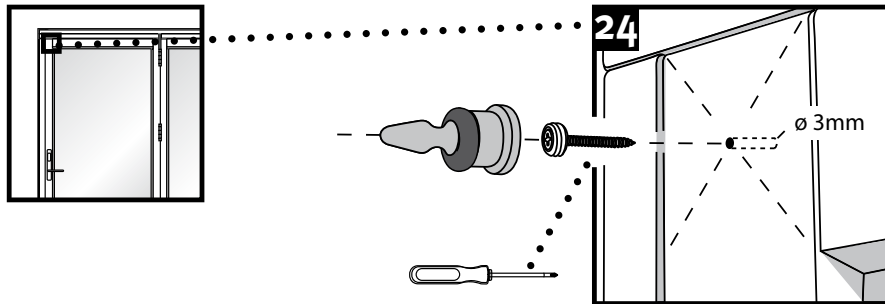
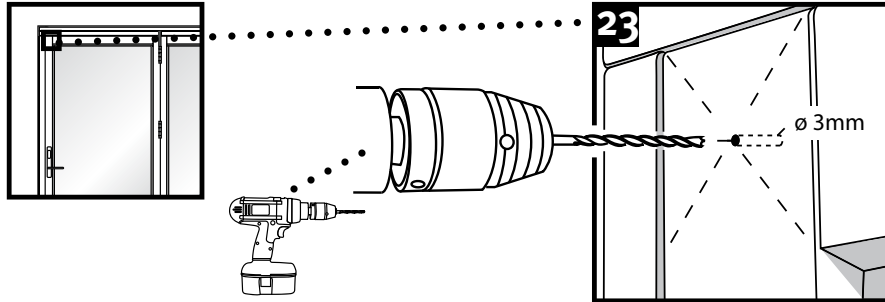
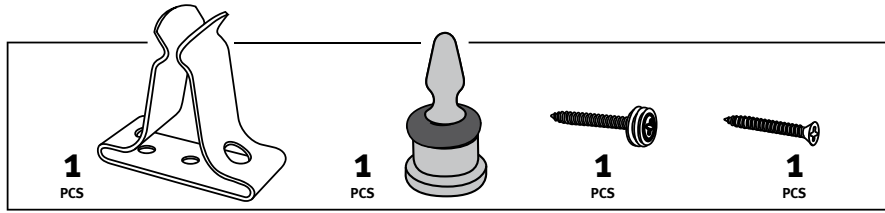
Hide screws if possible in pre-drillings behind gaskets on button frames. Reattach the gaskets.

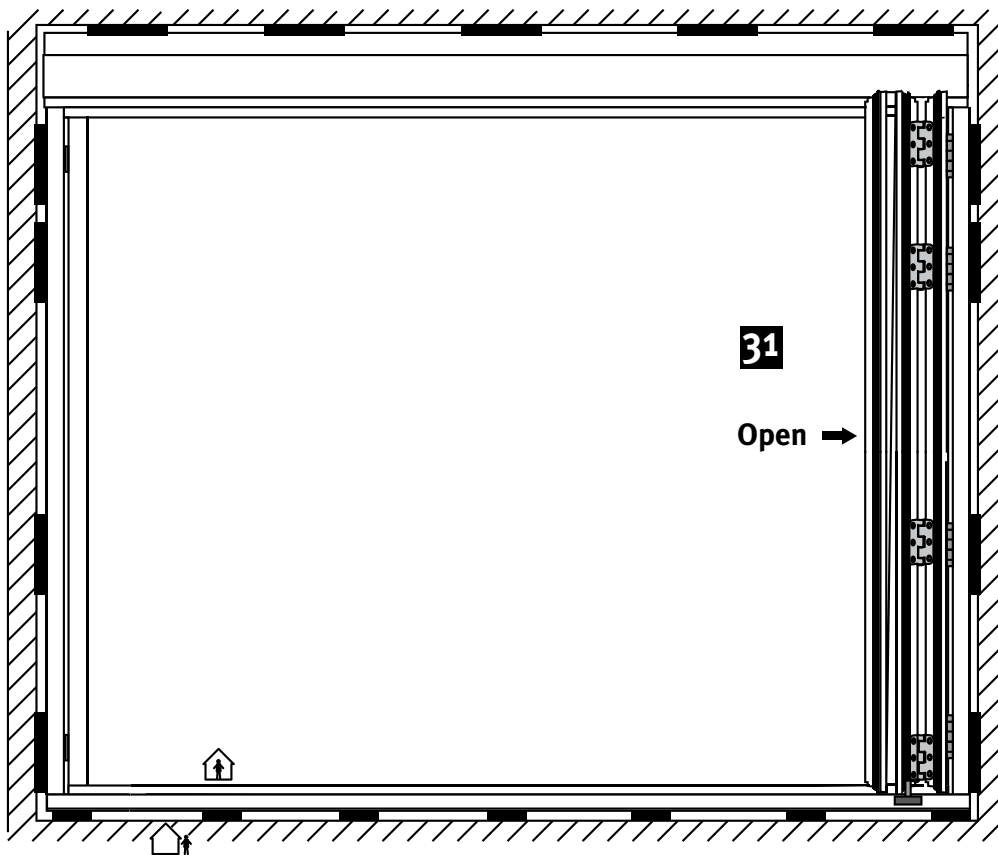
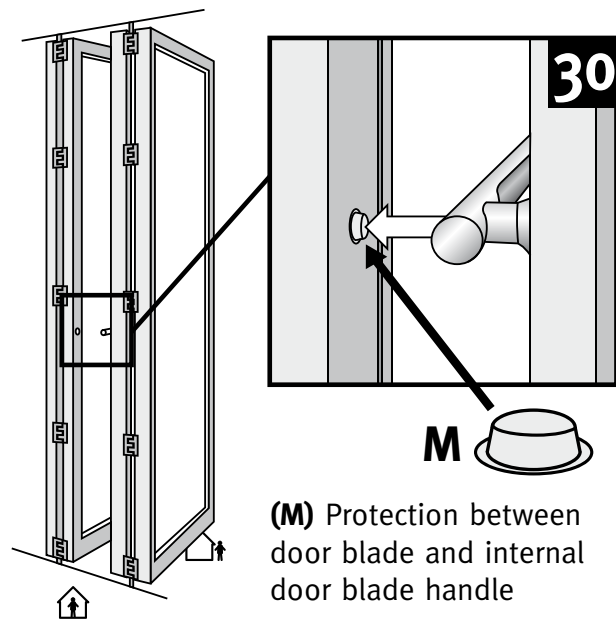
(S) Screws for fixing frames are not included



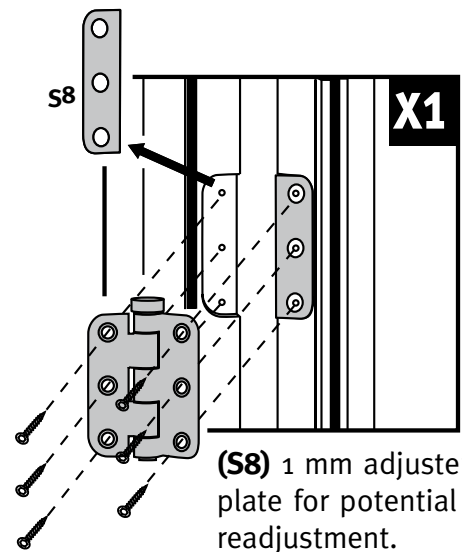
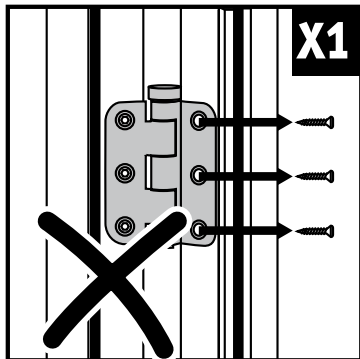
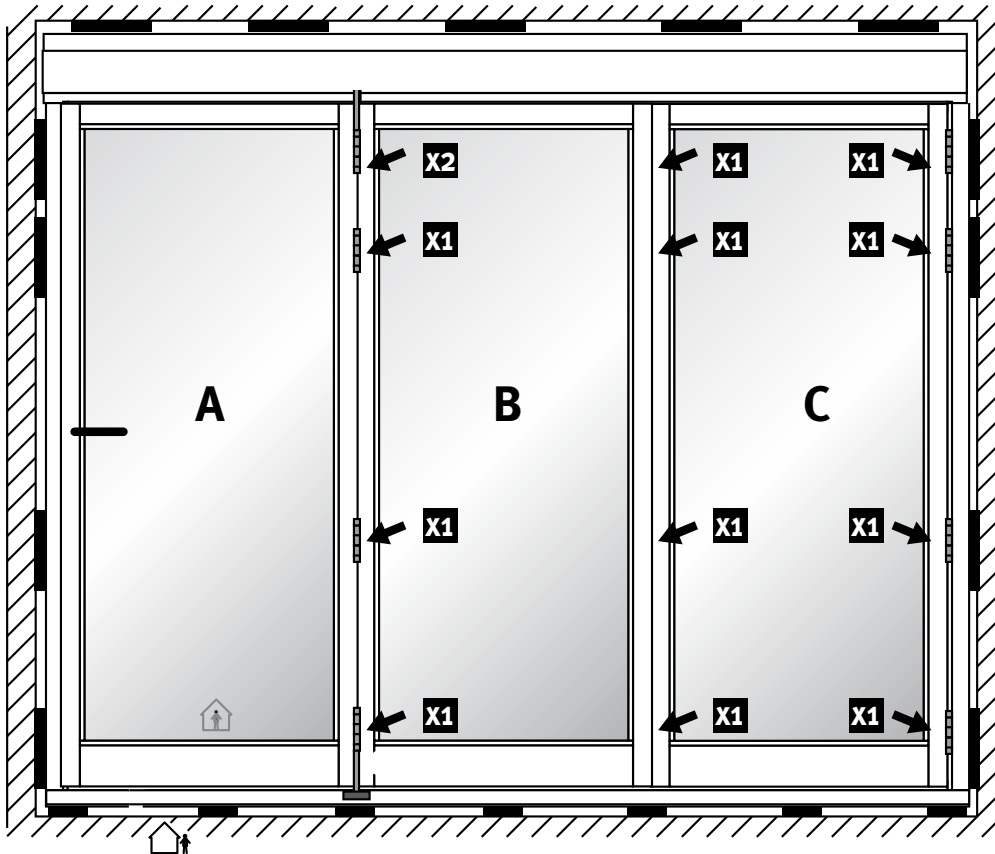
Hide screws if possible

Installation of door holder

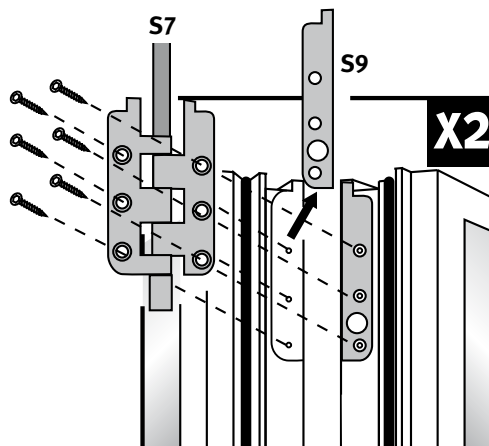
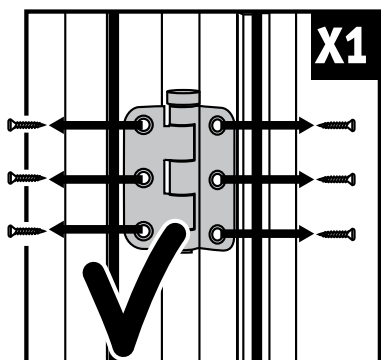




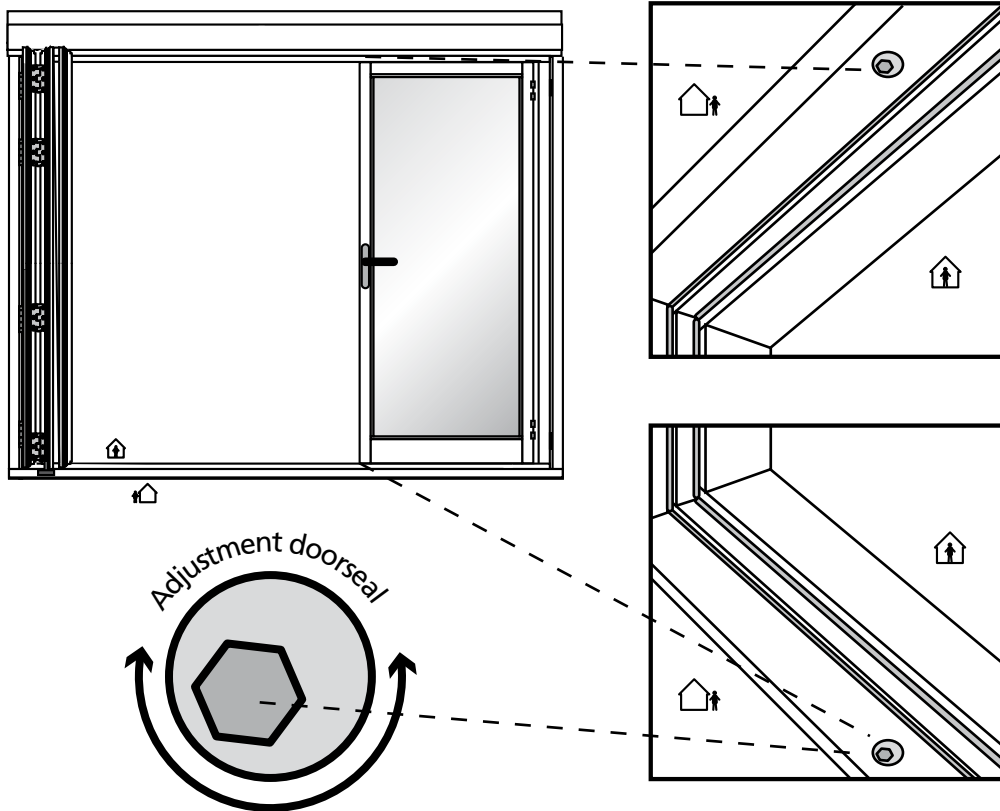
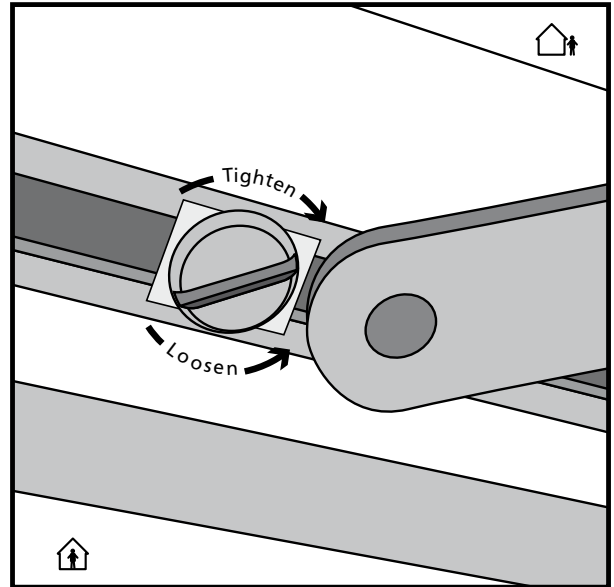
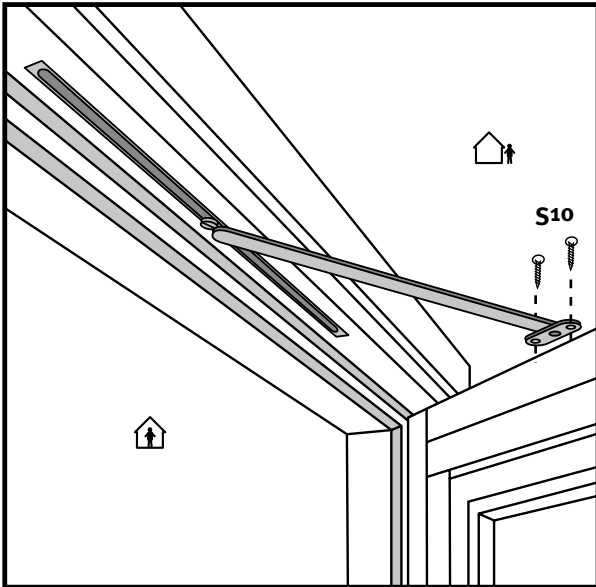
Potential adjustment of width



All screws in the hinge must be loosened before removal of the adjuster plates.



Dorbreak instalation an adjustment 4, 6 & 8 leave folding doors

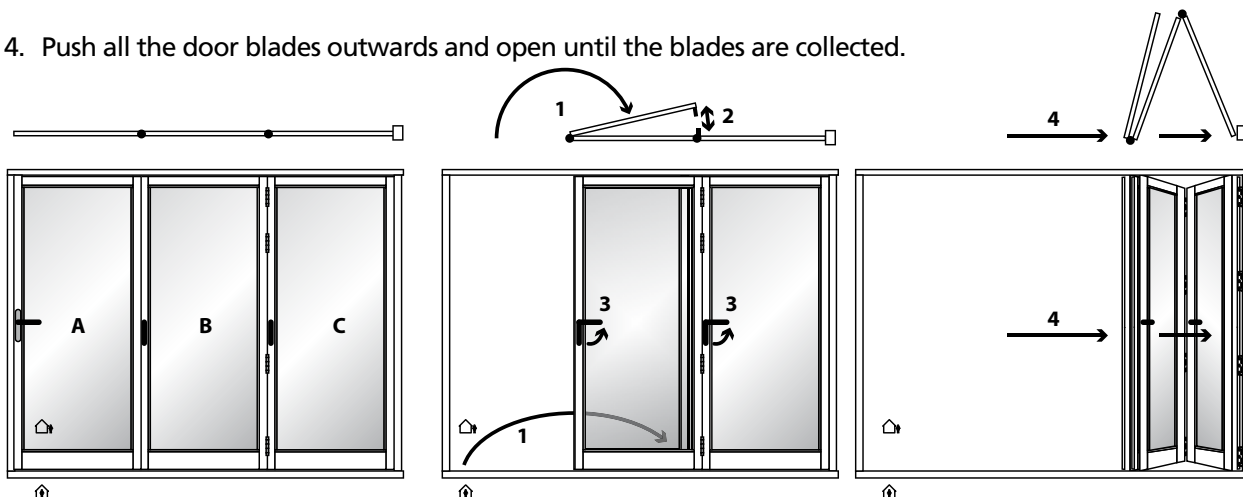


Operation

Facade folding doors are operated as follows:

Open

1. Open the facade opening door.
2. Fix the door in the door stopper on the next door blade.
3. Turn the door handles on all door blades to a horizontal position.
4. Push all the door blades outwards and open until the blades are collected.



Closing

1. Pull all the door blades in, starting from the side frame.
2. Turn the door handles to a vertical position, again starting from the side frame.
3. Close the opening door last.
4. Push the opening door handle upwards to activate the locking mechanism.
5. Lock the door.

